



TYPE AS: 50 through 125 Amperes

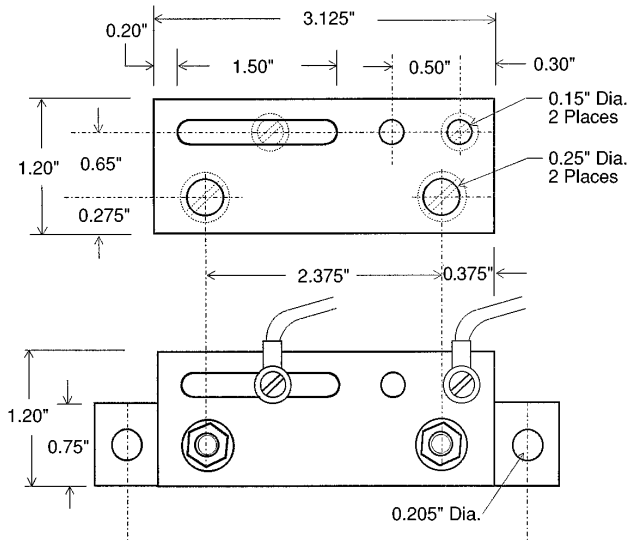
TYPE AS: 50 mV

Catalog Number	AMP	Adjustable value for 50mV output
AS-50-50	50	35A to 80A*
AS-125-50	125	80A to 190A**

*max continuous current 80A
 **max continuous current 140A

Note:

Final adjustments of these shunts must be done by the user. These shunts are not recommended for use at currents higher than rating.



Tolerances $\pm .015$ for the hole diameters. Other tolerances $\pm .030$ unless specified. Dimensions subject to change without notice.