



# CRYSTAL UNIT

# CGX-50322, CGX-50324

## Applications

- Cordless Telephones / Facsimile / Computer Clocks

## Features

- Dimensions (5.0 × 3.2 × 1.1)
- Ceramic SMD Package
- Glass Sealed
- Tight Tolerance and Stability
- Reflow Soldering / Emboss Taping
- Compliant products with AEC-Q200

## Specifications



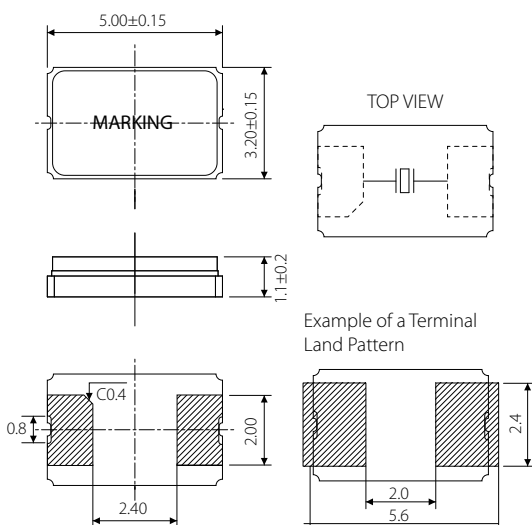
Model	CGX-50322, CGX-50324	
Nominal frequency range	8.000~50.000 MHz	8.000~20.000 MHz
Crystal cut	Fundamental [AT-cut]	
Storage temperature range	-40~+90°C	-40~+125°C
Operating temperature range	-40~+85°C	-40~+125°C
Frequency temperature characteristics (Ref. to +25°C)	± 50 × 10 <sup>-6</sup> , ± 100 × 10 <sup>-6</sup>	
Frequency tolerance (at +25°C)	± 30 × 10 <sup>-6</sup> , ± 50 × 10 <sup>-6</sup>	
Equivalent series resistance	300 Ω : 8.000~9.999 MHz 60 Ω : 10.000~15.999 MHz 50 Ω : 16.000~54.000 MHz	90 Ω : 45.000~50.000 MHz
Load capacitance	series, 10pF, 12pF, 16pF, 18pF, 20pF	
Shunt capacitance	5pF max.	
Level of drive	10 μW (100 μW max.)	

Package quantity: 1,000pcs max./Reel.  
The product is suitable for Car multimedia, Car accessory application.

## Outline and Dimensions [unit:mm]

Maximum marking length		Marking
line1	line2	
7	7	Laser
ex.)		16. 0GA SIWARD

### CGX-50322



### CGX-50324

