



CRYSTAL UNIT

LP-3.5S, 4.2S

Applications

- Cordless Telephones / Facsimile

Features

- Dimensions (12.3×4.7×H)
- Metal Package
- SMD Lower Height Design
- Resistance Sealed
- Tight Tolerance and Stability

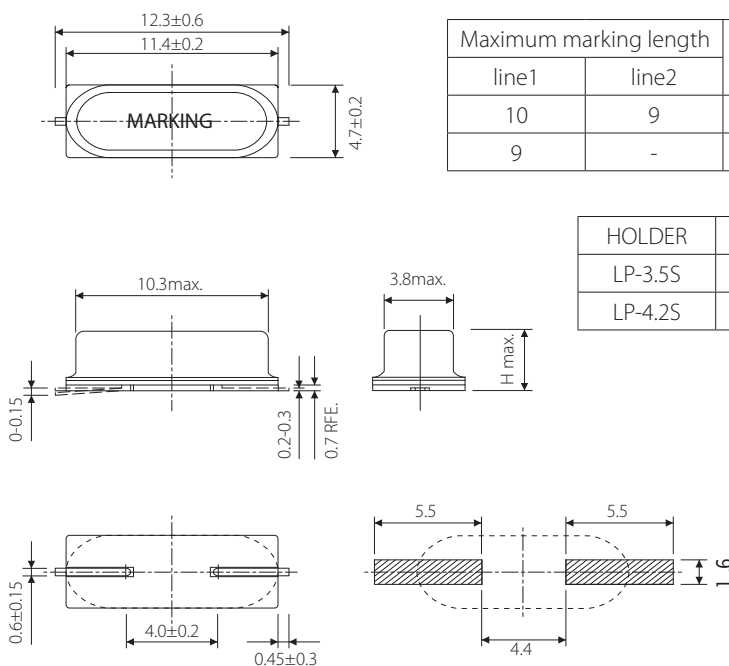
Specifications



Model	LP-3.5S, LP-4.2S	
Nominal frequency range	3.5000~40.000 MHz	30.000~80.000 MHz
Crystal cut	Fundamental [AT-cut]	3rd overtone [AT-cut]
Storage temperature range	-40~+90°C	
Operating temperature range	-10~+70°C, -40~+85°C	
Frequency temperature characteristics (Ref. to +25°C)	± 50 × 10 ⁻⁶	
Frequency tolerance (at +25°C)	± 50 × 10 ⁻⁶	
Equivalent series resistance	Please refer to the following ESR Table	
Load capacitance	Series, 10pF, 12pF, 16pF	
Shunt capacitance	5pF max.	
Level of drive	10 μ W (100 μ W max.)	

Package quantity: 1,000pcs max./Reel.

Outline and Dimensions [unit:mm]



Maximum marking length		Marking
line1	line2	
10	9	Laser
9	-	Ink

HOLDER	H
LP-3.5S	3.5
LP-4.2S	4.2

Frequency	ESR(Ω)
Fundamental	
3.500~ 3.999	150
4.000~ 4.999	120
5.000~ 5.999	100
6.000~ 8.999	80
9.000~ 9.999	60
10.000~ 12.999	50
13.000~ 18.999	40
19.000~ 40.000	30
3rd overtone	
30.000~ 44.999	80
45.000~ 59.999	70
60.000~ 80.000	60