



# 2.0mm Board-In Header Straight (R/A) Type

## MATERIAL

Insulator : Polyester  
Contact Pin : Copper Alloy

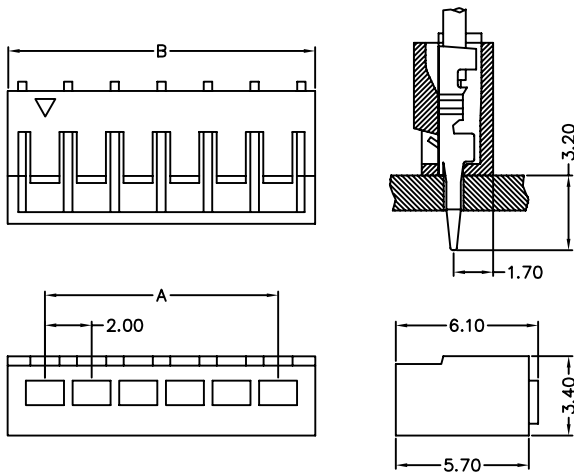
## SPECIFICATION

Current Rate : 2 AMP  
Insulation Resistance : 1000MΩ MIN.  
Contact Resistance : 20mΩMax.  
Operation Temperature : -25°C to +85°C

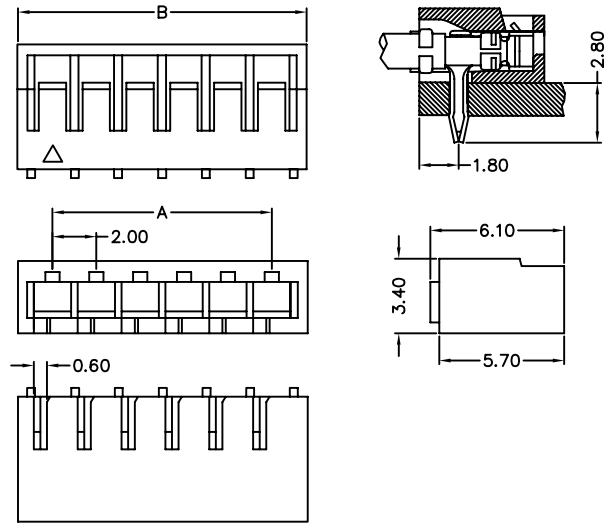


## Detail Dimensions

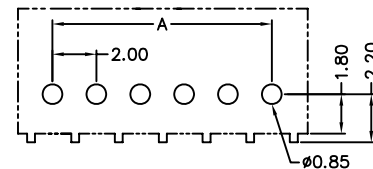
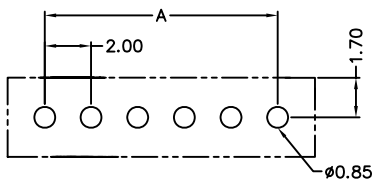
702-75-xxW008 (Housing)



702-76-xxW008 (Housing)



## Recommended P.C.B Layout



## Order Information

702-7 x - xx W 008  
1 2 3

702-70 - x x x 008  
4 5 6

- 1. 5: HSG Straight Type
- 6: HSG Right Angle Type
- 2. No. of contacts
- 3. W: White Insulator

- 4. 1: TML Straight Type
- 2: TML Right Angle Type
- 5. T: Tin Plating
- 6. B: Brass
- P: Phosphor Bronze

Standard Parts	Type
702-75-xxW008	Housing Straight
702-76-xxW008	Housing R/A
702-70-1TB008	Terminal Straight
702-70-2TB008	Terminal R/A

## Number Of Contacts

Unit: mm

Poles	DIM A	DIM B	Poles	DIM A	DIM B	Poles	DIM A	DIM B						
2	2.00	5.20	9	16.00	19.20	16	30.00	33.20						
3	4.00	7.20	10	18.00	21.20									
4	6.00	9.20	11	20.00	23.20									
5	8.00	11.20	12	22.00	25.20									
6	10.00	13.20	13	24.00	27.20									
7	12.00	15.20	14	26.00	29.20									
8	14.00	17.20	15	28.00	31.20									