



1.5mm Wire to Board Header Straight (R/A) Type

MATERIAL

Insulator : Polyester
Contact Pin : Brass

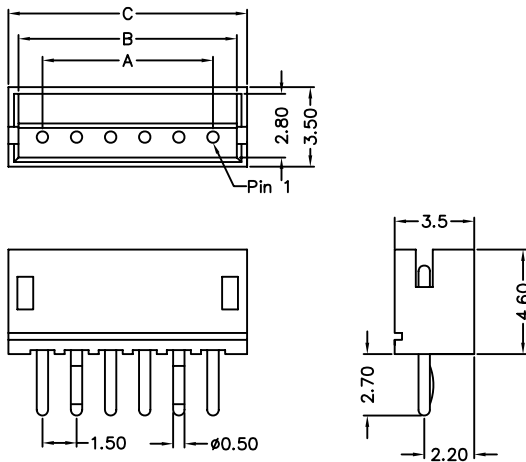
SPECIFICATION

Current Rate : 1 AMP
Insulation Resistance : 500MΩ MIN.
Contact Resistance : 20mΩMax.
Operation Temperature : -25°C to +85°C

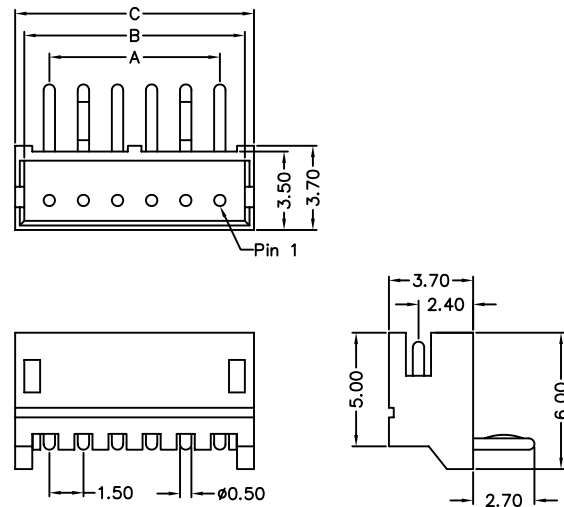


Detail Dimensions

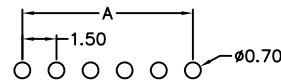
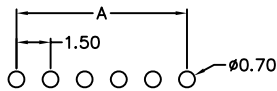
715-71-xxTW08



715-72-xxTW08



Recommended P.C.B Layout



Order Information

715-7x - xx T W 08
1 2 3 4 5

1. 1: Straight Type
2: Right Angle Type
2. No. of contacts
3. T: Tin Plating
4. W: White Insulator
5. Pinrex internal code

Standard Parts	Type
715-71-xxTW08	Straight
715-72-xxTW08	Right Angle

Number Of Contacts

Unit: mm

Poles	DIM A	DIM B	DIM C	Poles	DIM A	DIM B	DIM C
2	1.50	3.60	4.50	9	12.00	14.10	15.00
3	3.00	5.10	6.00	10	13.50	15.60	16.50
4	4.50	6.60	7.50	11	15.00	17.10	18.00
5	6.00	8.10	9.00	12	16.50	18.60	19.50
6	7.50	9.60	10.50	13	18.00	20.10	21.00
7	9.00	11.10	12.00				
8	10.50	12.60	13.50				