



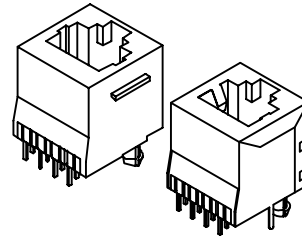
# Modular Jack Top Entry

## ■ MATERIAL

Insulator : Polyester  
Contact Pin : Phosphor Bronze

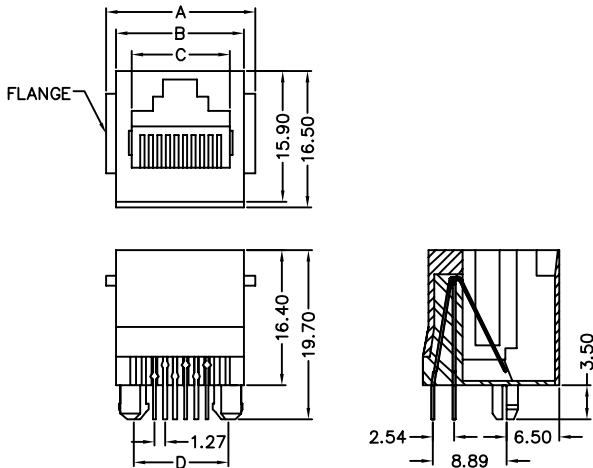
## ■ SPECIFICATION

Current Rate : 1.5 AMP  
Insulation Resistance : 500MΩMin. at DC 125V  
Contact Resistance : 30mΩMax.  
Operation Temperature : -40°C to +80°C

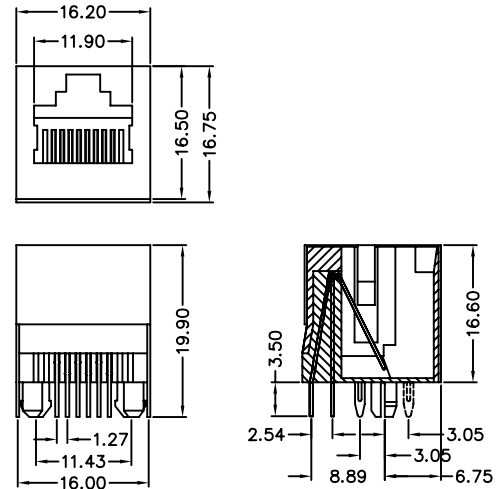


## ■ Detail Dimensions

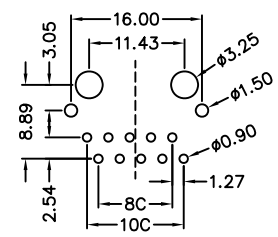
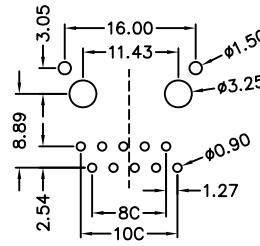
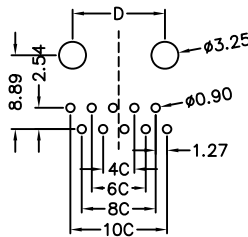
996-A2-01xxx1



996-A2-01xxx1 (Shielded)



## ■ Recommended P.C.B Layout



Front Tab

Rear Tab

## ■ Order Information

996-A2- 01 x x x 1  
1 2 3 4

- 1. 2: Tray package
- 2. No. of position (4/6/8/10)
- 3. No. of contacts (2/4/6/8/10)
- 4. 0: without Flange  
1: with Flange
- A: without Flange ; Shielded ; Front Tab
- B: with Flange ; Shielded ; Front Tab
- C: without Flange ; Shielded ; Rear Tab
- D: with Flange ; Shielded ; Rear Tab

Standard Parts
996-A2-01xx01
996-A2-01xx11
996-A2-01xxA1
996-A2-01xxB1
996-A2-01xxC1
996-A2-01xxD1

## ■ Number Of Contacts

Unit: mm

Position	Contact	DIM A	DIM B	DIM C	DIM D
4	4	13.97	11.43	7.90	7.62
6	2/4/6	16.00	13.46	10.00	10.16
8	4/6/8	18.03	15.49	11.90	11.43
10	10	18.03	15.49	11.90	11.43