



# D-Sub Connector Straight Type

## MATERIAL

Insulator : Polyester  
Contact Pin : Copper Alloy

## SPECIFICATION

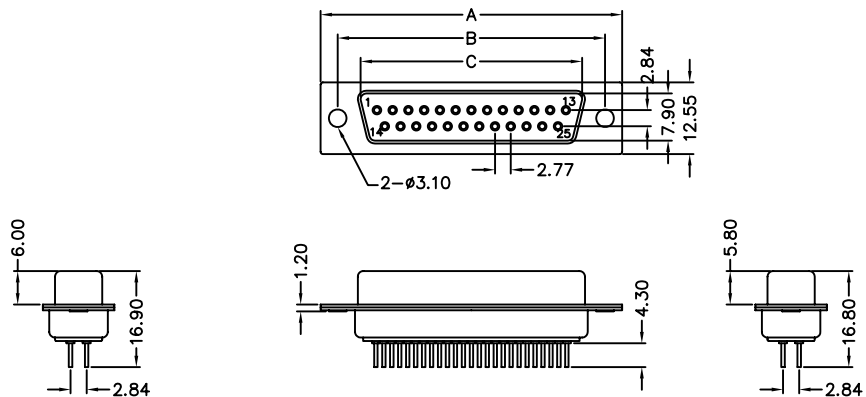
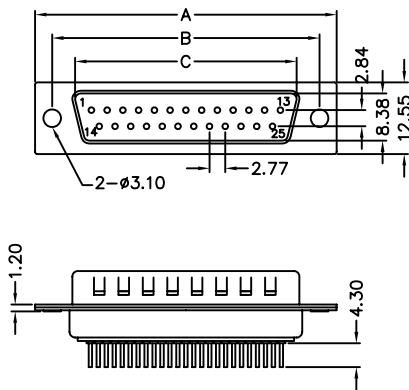
Current Rate : 1 AMP  
Insulation Resistance : 1000MΩMin. at DC 500V  
Contact Resistance : 30mΩMax. at DC 100mA  
Operation Temperature : -55°C to +105°C



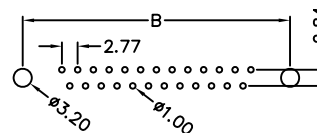
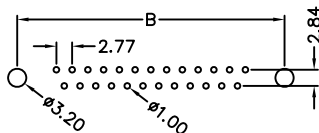
## Detail Dimensions

982-21-Axxx05

982-21-Bxxx05



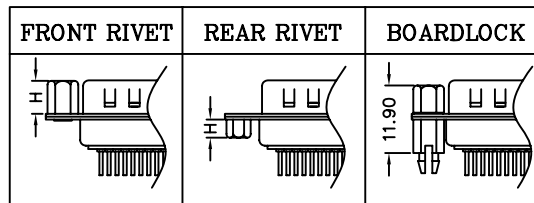
## Recommended P.C.B Layout



## Order Information

982-21- x xx x x 5  
1 2 3 4

- A: Male  
B: Female
- No. of contacts
- 0: Black Insulator  
2: White Insulator
- 0: None Accessories  
1: Front rivet #4-40 H=4.0mm  
3: Rear rivet #4-40 H=4.0mm



Standard Parts
982-21-Axxx05
982-21-Axxx05

- Rear rivet Boardlock #4-40
- Rear rivet Boardlock #4-40 with screw inserted
- Rear rivet #4-40 H=5.8mm with screw inserted
- Rear rivet #4-40 H=5.8mm

## Number Of Contacts

Unit: mm

Poles	DIM A	DIM B	DIM C		Poles	DIM A	DIM B	DIM C					
9	30.81	24.99	16.92		9	30.81	24.99	16.33					
15	39.25	33.32	25.25		15	39.25	33.32	24.66					
25	53.04	47.04	38.96		25	53.04	47.04	38.38					
37	69.50	63.50	55.42		37	69.50	63.50	54.84					