



# IEEE 1394 A DIP Type

## ■ MATERIAL

Insulator : Polyester  
Contact Pin : Copper Alloy  
Shell : Brass

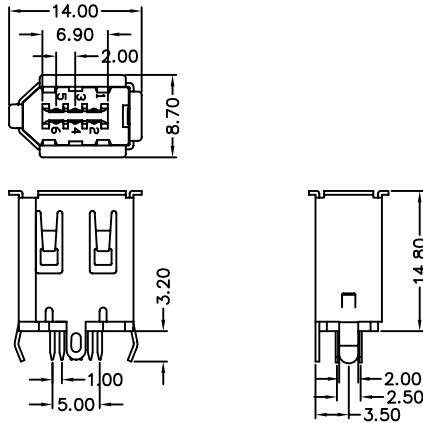
## ■ SPECIFICATION

Current Rate : 1 AMP at 250V DC  
Insulation Resistance : 1000MΩMin. at DC 500V  
Contact Resistance : 30mΩMax. at DC 100mA

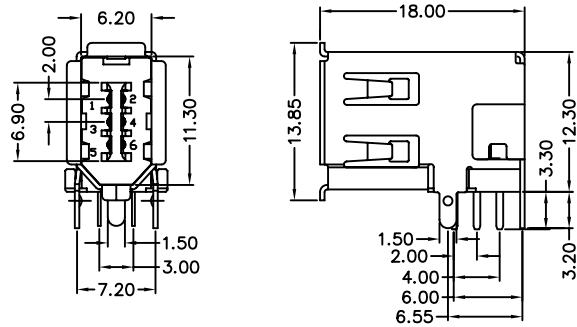


## ■ Detail Dimensions

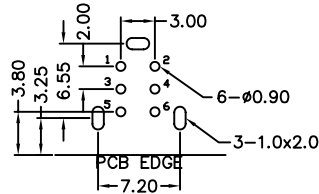
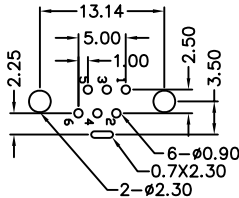
984-41-606101



984-41-606301



## ■ Recommended P.C.B Layout



## ■ Order Information

984-4 1 - 606 x 0 1  
1 2 3

1. 1: Tray package
2. No. of contacts
3. 1: Straight Type  
3: Right Angle Type

Standard Parts
984-41-606101
984-41-606301

Unit: mm