



USB Connector A Vertical Type

■ MATERIAL

Insulator : Polyester
 Contact Pin : Copper Alloy
 Shell : Stainless Steel

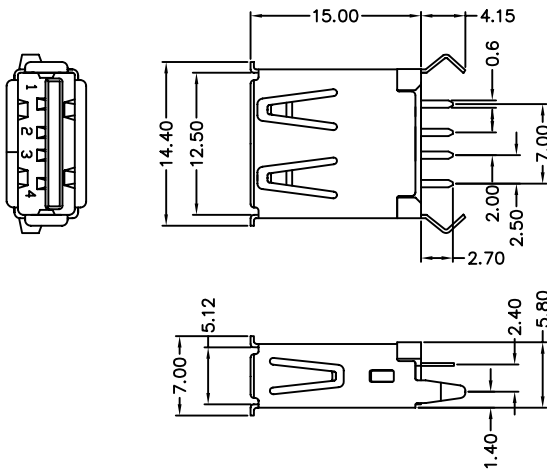
■ SPECIFICATION

Current Rate : 1 AMP at 250V DC
 Insulation Resistance : 1000MΩMin. at DC 500V
 Contact Resistance : 30mΩMax. at DC 100mA

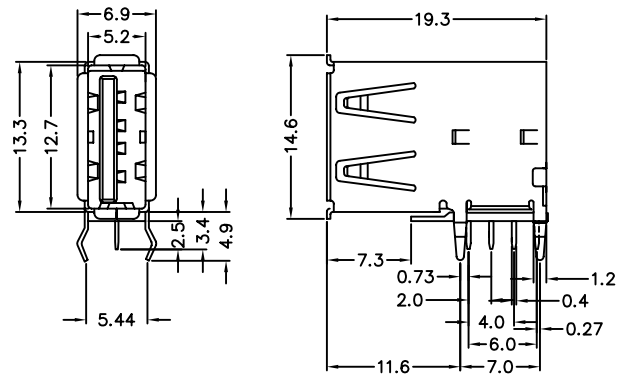


■ Detail Dimensions

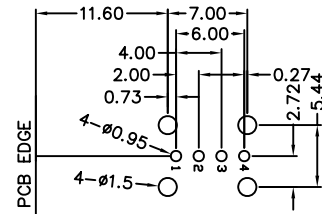
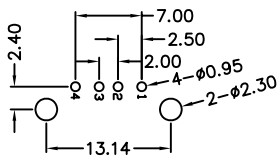
984-11-6041x1



984-11-6043x1



■ Recommended P.C.B Layout



■ Order Information

984-1 1 - 604 x x 1
 1 2 3 4

- 1: Tray package
- 2: No. of contacts
- 1: Straight Type
3: R/A Vertical Type
- 0: Black Insulator
1: White Insulator

Standard Parts
984-11-6041x1
984-11-6043x1

Unit: mm