



# Micro USB Connector AB/B Type

## MATERIAL

Insulator : High Temperature Polyester  
 Contact Pin : Copper Alloy  
 Shell : Stainless Steel

## SPECIFICATION

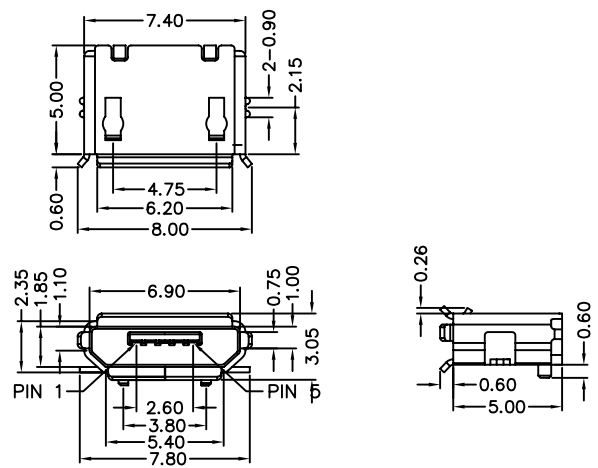
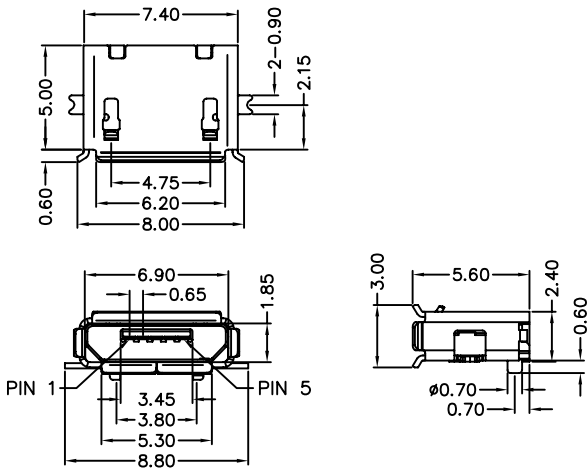
Current Rate : 1 AMP at 250V DC  
 Insulation Resistance : 1000MΩMin. at DC 500V  
 Contact Resistance : 30mΩMax. at DC 100mA



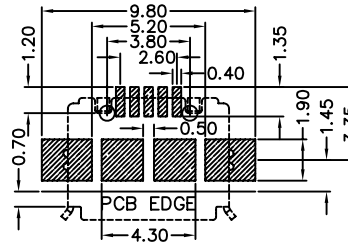
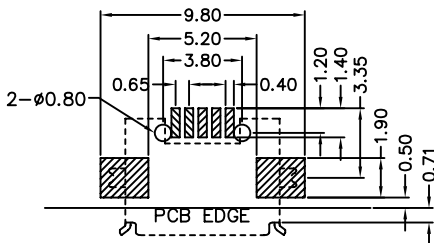
## Detail Dimensions

984-73-205279

984-73-805204



## Recommended P.C.B Layout



## Order Information

984-73 - x 052 xx  
 1 2 3 4

- 1. 3: Reel package
- 2. 2: AB Type Female  
8: B Type Female
- 3. No. of contacts
- 4. Pinrex internal code

Standard Parts	Type
984-73-205279	AB Type
984-73-805204	B Type

Unit: mm