



# Scart Connector Solder Type

## ■ MATERIAL

Insulator : Polyester  
Contact Pin : Copper Alloy

## ■ SPECIFICATION

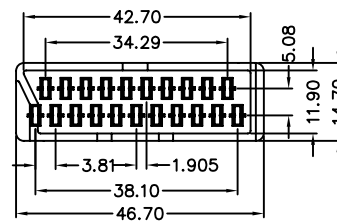
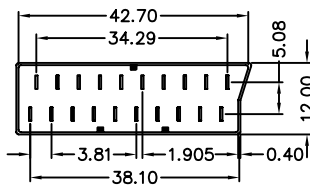
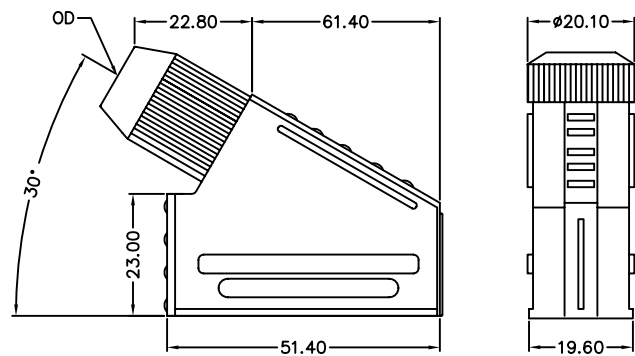
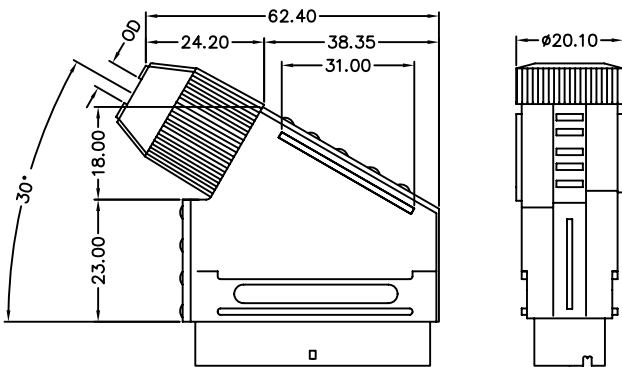
Current Rate : 3 AMP at 250V AC  
Insulation Resistance : 1500MΩMin.  
Contact Resistance : 11mΩMax. at DC 100mA  
Operation Temperature : -40°C to +70°C



## ■ Detail Dimensions

999-80-7215x1

999-80-6215x1



## ■ Order Information

999-8 0 - x 21 5 x 1  
1 2 3 4

Standard Parts
999-80-6215x1
999-80-7215x1

1. 0: Bag package
2. 6: Female  
7: Male
3. No. of contacts
4. 7: OD 7mm  
8: OD 8mm  
9: OD 9mm  
0: OD 10mm  
1: OD 11mm  
2: OD 12mm  
3: OD 13mm

Unit: mm