



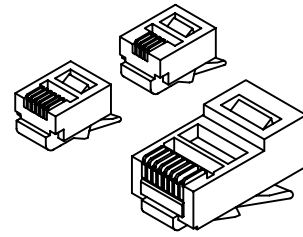
Modular Plug

MATERIAL

Insulator : PC
Contact : Copper Alloy

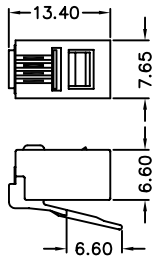
SPECIFICATION

Current Rate : 1.5 AMP at 125V AC
Insulation Resistance : 500MΩMin. at DC 500V
Contact Resistance : 35mΩMax. at DC 100mA
Operation Temperature : -40°C to +120°C

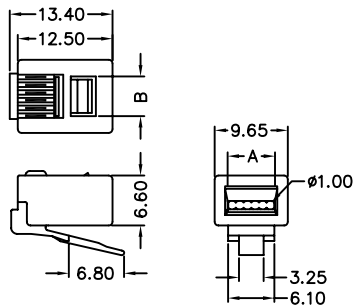


Detail Dimensions

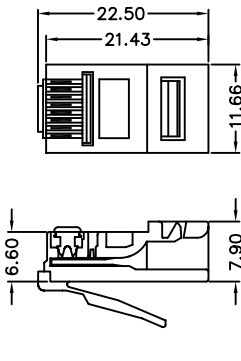
4P4C



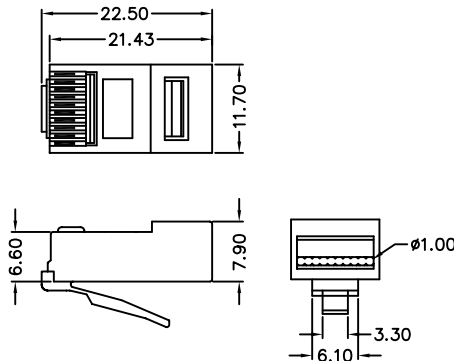
6P6C



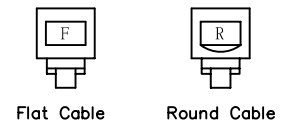
8P8C



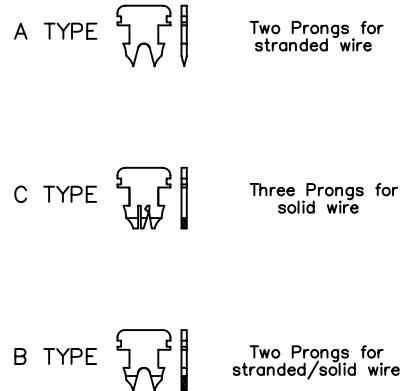
10P10C



Cable Type



Contact Type



Order Information

996-B1- xx x x x 1
1 2 3 4 5

- | | |
|---------------------------------------|--------------------------------------|
| 1: Bulk package | 2: 3u" Gold plating for flat cable |
| 2. 01: A Type contact | 3: 3u" Gold plating for round cable |
| 02: C Type contact | 4: 15u" Gold plating for flat cable |
| 03: B Type contact | 5: 15u" Gold plating for round cable |
| 3. No. of positions (4,6,8,10) | 6: 30u" Gold plating for flat cable |
| 4. No. of contacts (2,4,6,8,10) | 7: 30u" Gold plating for round cable |
| 5. 0: 6u" Gold plating for flat cable | |
| 1: 6u" Gold plating for round cable | |

Standard Parts
996-B1-01xx01
996-B1-01xx11
996-B1-02xx01
996-B1-02xx11
996-B1-03xx01
996-B1-03xx11

Number Of Contacts

Unit: mm

Poles	DIM A	DIM B												
6P2C	5.20	5.10												
6P4C	5.20	5.10												
6P6C	7.10	6.20												

* There are some other types available, please contact our sales rep. for information, thanks!