



USB Connector B Solder Type

■ MATERIAL

Insulator : Polyester
Contact Pin : Brass
Shell : Stainless Steel

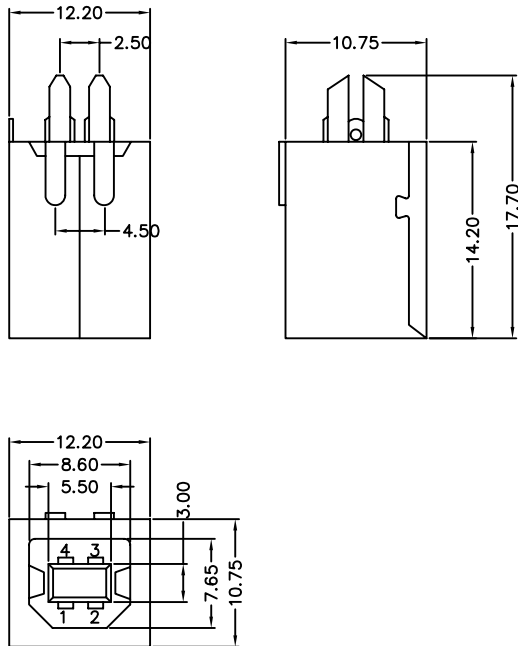
■ SPECIFICATION

Current Rate : 1 AMP
Insulation Resistance : 1000MΩMin. at DC 500V
Contact Resistance : 30mΩMax.
Operation Temperature : -55°C to +105°C

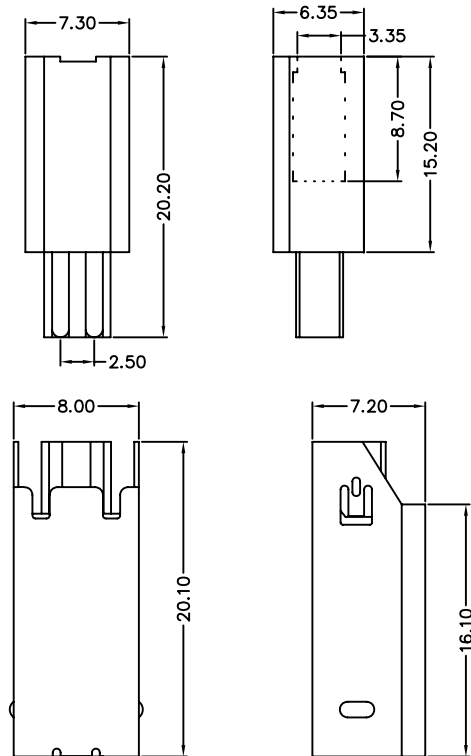


■ Detail Dimensions

984-20-6045x7



984-20-7045x7



■ Order Information

984-20-x045x7
1 2 3 4

- 1. 0: Bulk package
- 2. 6: Female
- 7: Male
- 3. No. of contacts
- 4. 0: Black Insulator
- 1: White Insulator

Standard Parts
984-20-6045x7
984-20-7045x7

Unit: mm