



1.25mm FPC Socket ZIF Type

MATERIAL

Insulator : Polyester
Contact Pin : Phosphor Bronze

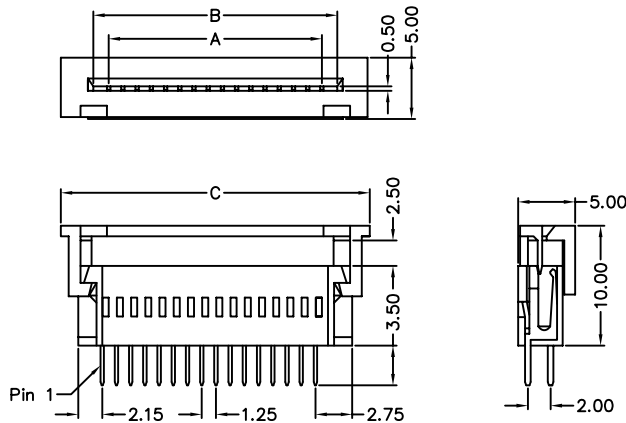
SPECIFICATION

Current Rate : 1 AMP
Insulation Resistance : 1000MΩMin.
Contact Resistance : 20mΩMax.
Operation Temperature : -55°C to +105°C

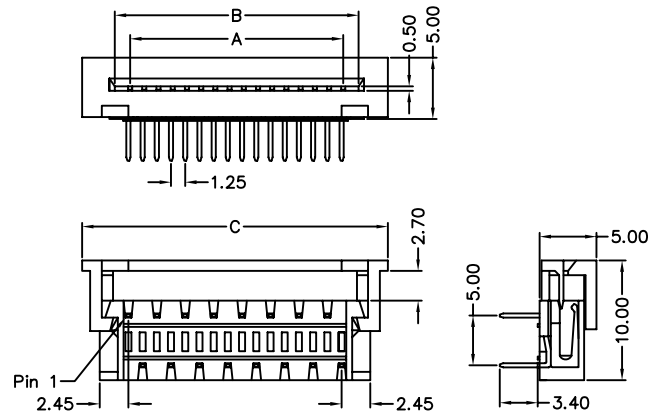


Detail Dimensions

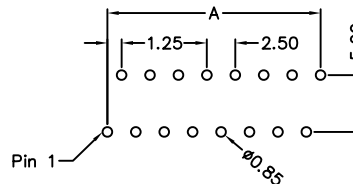
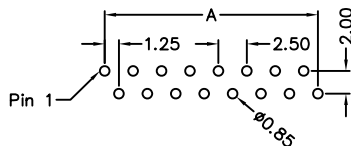
979-21- 3 xx 101



979-21- 3 xx 201



Recommended P.C.B Layout

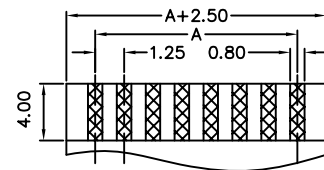


Order Information

979-21- 3 xx x 01
1 2

- No. of contacts (3~40)
- 1: Straight Type
2: Right Angle Type

Standard Parts
979-21-3xx101
979-21-3xx201



FPC/FFC T=0.30±0.05

Number Of Contacts

Unit: mm

Poles	DIM A	DIM B	DIM C	Poles	DIM A	DIM B	DIM C	Poles	DIM A	DIM B	DIM C	Poles	DIM A	DIM B	DIM C
3	3.75	6.30	8.40	13	15.00	17.72	21.95	23	27.50	30.22	34.45	33	40.00	42.72	46.95
4	3.75	6.30	8.40	14	16.25	18.97	23.20	24	28.75	31.47	35.70	34	41.25	43.97	48.20
5	5.00	7.55	9.65	15	17.50	20.22	24.45	25	30.00	32.72	36.95	35	42.50	45.22	49.45
6	6.25	8.80	10.90	16	18.75	21.47	25.70	26	31.25	33.97	38.20	36	43.75	46.47	50.70
7	7.50	10.22	14.45	17	20.00	22.72	26.95	27	32.50	35.22	39.45	37	45.00	47.72	51.95
8	8.75	11.47	15.70	18	21.25	23.97	28.20	28	33.75	36.47	40.70	38	46.25	48.97	53.20
9	10.00	12.72	16.95	19	22.50	25.22	29.45	29	35.00	37.72	41.95	39	47.50	50.22	54.45
10	11.25	13.97	18.20	20	23.75	26.47	30.70	30	36.25	38.97	43.20	40	48.75	51.47	55.70
11	12.50	15.22	19.45	21	25.00	27.72	31.95	31	37.50	40.22	44.45				
12	13.75	16.47	20.70	22	26.25	28.97	33.20	32	38.75	41.47	45.70				