



1.0mm FPC Socket ZIF Straight Type

■ MATERIAL

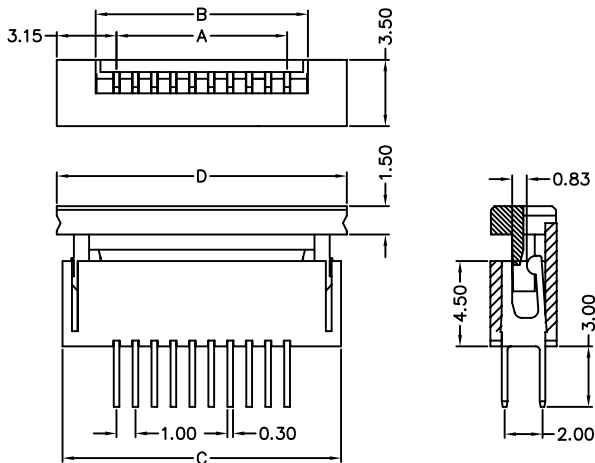
Insulator : Polyester
Contact Pin : Phosphor Bronze

■ SPECIFICATION

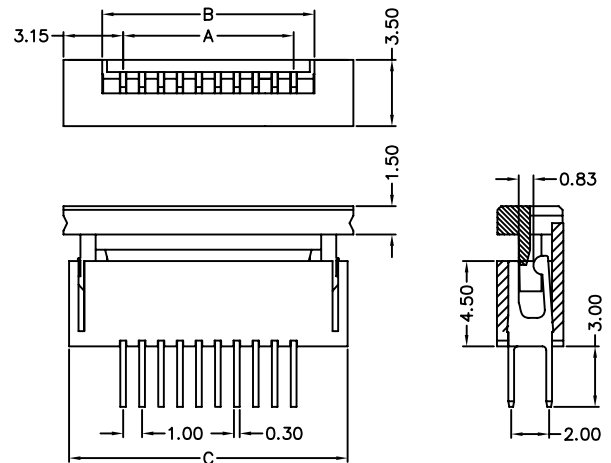
Current Rate : 0.5 AMP
Insulation Resistance : 1000MΩMin.
Contact Resistance : 30mΩMax.
Operation Temperature : -55°C to +85°C

■ Detail Dimensions

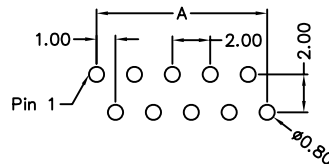
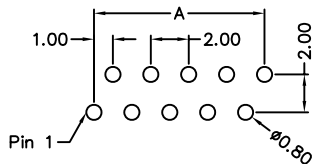
979-31- 3 xx 101



979-31- 3 xx 111



■ Recommended P.C.B Layout

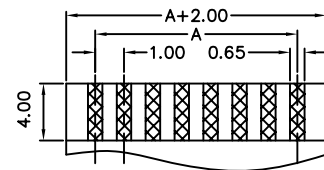


■ Order Information

979-31- 3 xx 1 x 1
1 2

1. No. of contacts (3~30)
2. 0: Standard Layout
- 1: Reverse Layout

Standard Parts
979-31-3xx101
979-31-3xx111



FPC/FFC T=0.30±0.05

■ Number Of Contacts

Unit: mm

Poles	DIM A	DIM B	DIM C	Poles	DIM A	DIM B	DIM C	Poles	DIM A	DIM B	DIM C	Poles	DIM A	DIM B	DIM C
3	2.00	4.20	8.00	10	9.00	11.20	15.00	17	16.00	18.20	22.00	24	23.00	25.20	29.00
4	3.00	5.20	9.00	11	10.00	12.20	16.00	18	17.00	19.20	23.00	25	24.00	26.20	30.00
5	4.00	6.20	10.00	12	11.00	13.20	17.00	19	18.00	20.20	24.00	26	25.00	27.20	31.00
6	5.00	7.20	11.00	13	12.00	14.20	18.00	20	19.00	21.20	25.00	27	26.00	28.20	32.00
7	6.00	8.20	12.00	14	13.00	15.20	19.00	21	20.00	22.20	26.00	28	27.00	29.20	33.00
8	7.00	9.20	13.00	15	14.00	16.20	20.00	22	21.00	23.20	27.00	29	28.00	30.20	34.00
9	8.00	10.20	14.00	16	15.00	17.20	21.00	23	22.00	24.20	28.00	30	29.00	31.20	35.00