



# 2.0mm Mini Jumper Junction Type

## ■ MATERIAL

Insulator : Polyester  
Contact Pin : Phosphor Bronze

## ■ SPECIFICATION

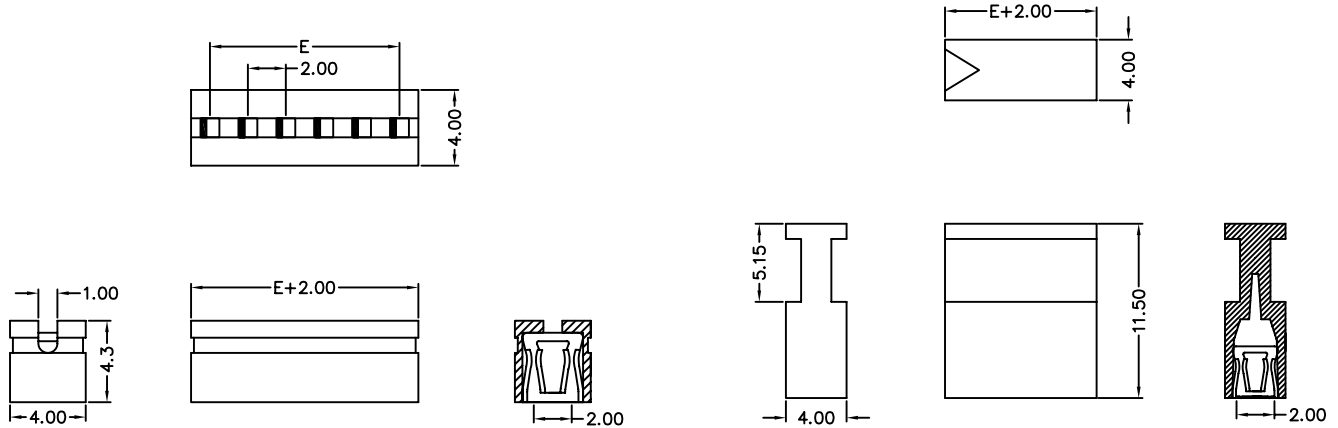
Current Rate : 3 AMP  
Insulation Resistance : 1000MΩMin.  
Contact Resistance : 30mΩMax.  
Operation Temperature : -55°C to +105°C



## ■ Detail Dimensions

202-72-xxGB04  
(2~10 ports)

202-72-xxGB40  
(4 & 12 ports)



## ■ Order Information

202-7 2 - xx G B xx  
1 2 3 4 5

1. Green Product
2. No. of Ports
3. G: Gold Flash  
T: Tin Plating
4. B: Black Insulator
5. Pinrex internal code

Standard Parts
202-72-XXGB04
202-72-04GB40
202-72-12GB40

## ■ Number Of Contacts

Unit: mm

Ports	DIM E	Ports	DIM E												
		8	14.00												
2	2.00	9	16.00												
3	4.00	10	18.00												
4	6.00	12	22.00												
5	8.00														
6	10.00														
7	12.00														