



2.54mm Female Header R/A Type with Bump H=8.5mm

MATERIAL

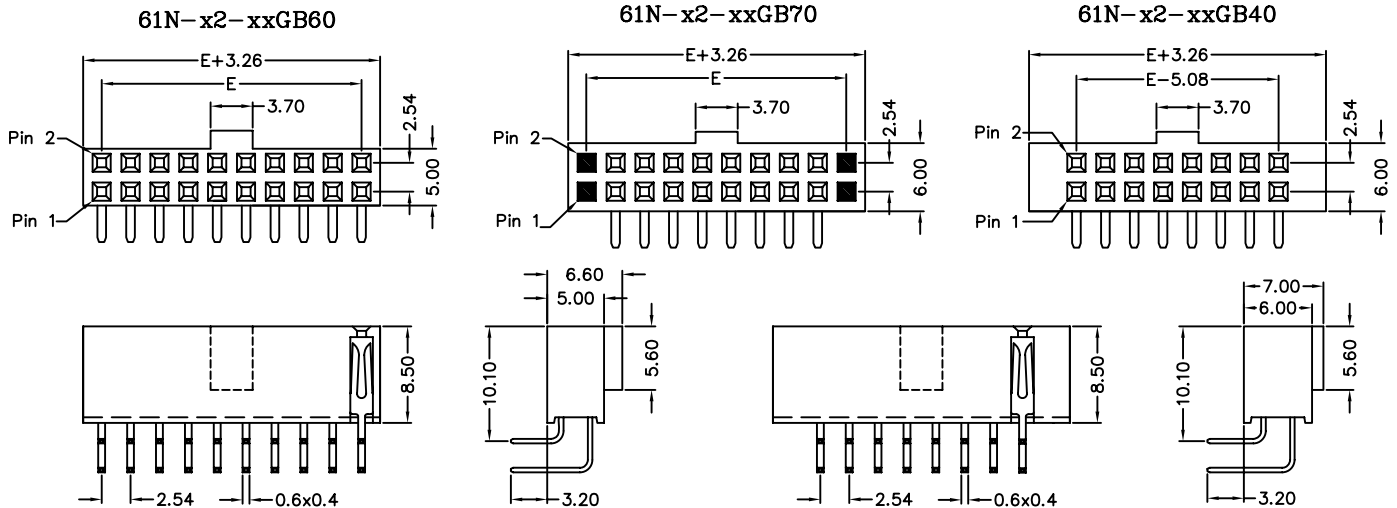
Insulator : High Temperature Polyester
Contact Pin : Brass

SPECIFICATION

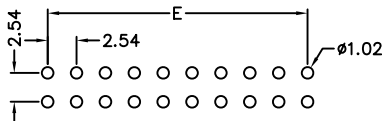
Current Rate : 3 AMP
Insulation Resistance : 5000MΩMin. at DC 500V
Contact Resistance : 20mΩMax. at DC 100mA
Operation Temperature : -40°C to + 105°C



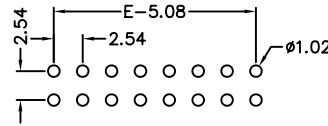
Detail Dimensions



Recommended P.C.B Layout



61N-x2-xxGB60



61N-x2-xxGB70 / 61M-x2-xxGB40

Order Information

61N-x 2 - xx G B xx
1 2 3 4

1. 7: Green Product
9: Green Product High Temp
2. No. of contacts per row
3. G: Gold Flash
S: Selective Gold Plating
T: Tin Plating
4. Pinrex internal code

Standard Parts
61N-x2-xxGB60
61N-x2-xxGB70
61N-x2-xxGB40

Number Of Contacts

Unit: mm

Poles	DIM E	Poles	DIM E	Poles	DIM E	Poles	DIM E	Poles	DIM E	Poles	DIM E
		8	17.78	15	35.56	22	53.34	29	71.12	36	88.90
2	2.54	9	20.32	16	38.10	23	55.88	30	73.66		
3	5.08	10	22.86	17	40.64	24	58.42	31	76.20		
4	7.62	11	25.40	18	43.18	25	60.96	32	78.74		
5	10.16	12	27.94	19	45.72	26	63.50	33	81.28		
6	12.70	13	30.48	20	48.26	27	66.04	34	83.82		
7	15.24	14	33.02	21	50.80	28	68.58	35	86.36		