



2.54mm Female Header Side Entry SMT Type

MATERIAL

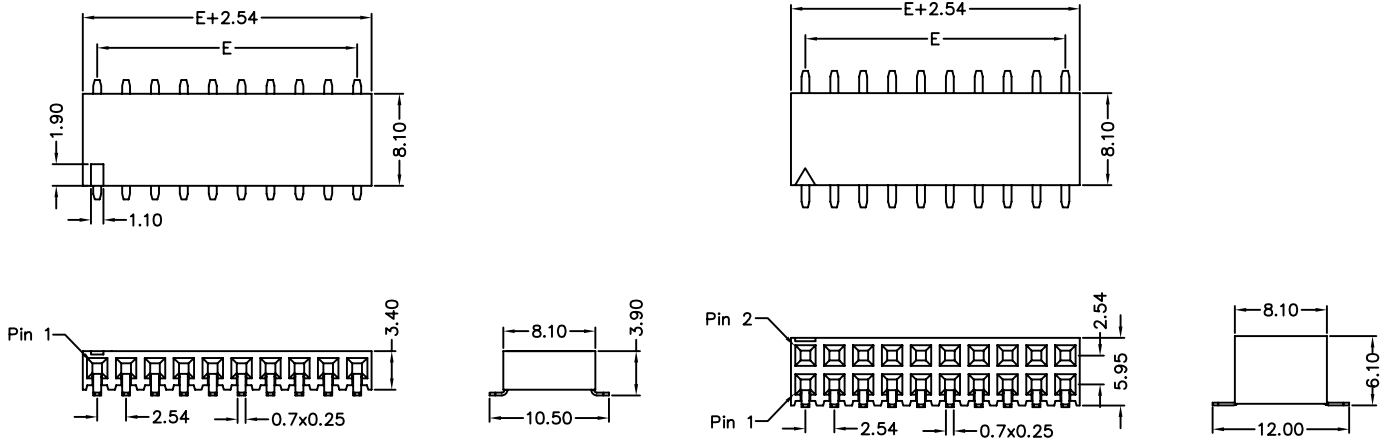
Insulator : High Temperature Polyester
Contact Pin : Phosphor Bronze

SPECIFICATION

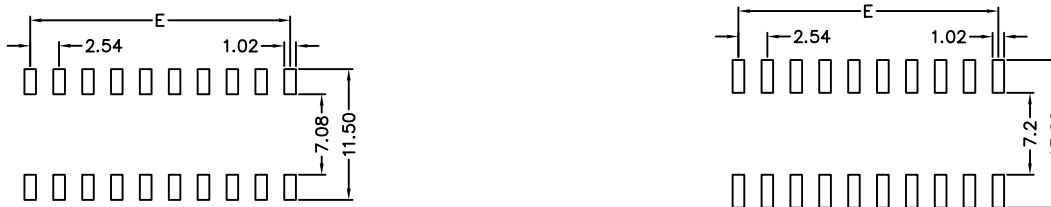
Current Rate : 3 AMP
Insulation Resistance : 5000MΩMin. at DC 500V
Contact Resistance : 20mΩMax. at DC 100mA
Operation Temperature : -40°C to + 105°C



Detail Dimensions



Recommended P.C.B Layout



Order Information

61P-x x - xx G B xx
1 2 3 4 5

Standard Parts
61P-x1-xxGB00
61P-x2-xxGB05

- 1. 7: Green Product
- 9: Green Product High Temp
- 2. 1: Single row
- 2: Dual rows
- 3. No. of contacts per row
- 4. G: Gold Flash
- S: Selective Gold Plating
- T: Tin Plating

5. Pinrex internal code

Number Of Contacts

Unit: mm

Poles	DIM E	Poles	DIM E	Poles	DIM E	Poles	DIM E	Poles	DIM E	Poles	DIM E				
		8	17.78	15	35.56	22	53.34	29	71.12	36	88.90				
2	2.54	9	20.32	16	38.10	23	55.88	30	73.66	37	91.44				
3	5.08	10	22.86	17	40.64	24	58.42	31	76.20	38	93.98				
4	7.62	11	25.40	18	43.18	25	60.96	32	78.74	39	96.52				
5	10.16	12	27.94	19	45.72	26	63.50	33	81.28	40	99.06				
6	12.70	13	30.48	20	48.26	27	66.04	34	83.82						
7	15.24	14	33.02	21	50.80	28	68.58	35	86.36						