



Date: 07/19/2010

HC SERIES

MAIDA STYLE NUMBER R61ZOV151HC

MAIDA ITEM NUMBER 01-1880

VARISTOR SPEC SHEET

Electrical Specifications

Continuous AC Voltage	150 VAC
Continuous DC Voltage	200 VDC
Maximum DC Leakage @ 200 VDC	200 μ A
Low Varistor Voltage Limit	212 VDC
High Varistor Voltage Limit	259 VDC
Nominal Varistor Voltage	235 VDC
Current for Varistor Voltage	1 mA
Maximum Clamp Voltage	395 V
Maximum Clamp Voltage Test Current	20 A
Peak Current Rating (1 Pulse)	4500 A
Peak Current Rating (2 Pulse)	3500 A
Energy Rating (8X20us)	50 J
Energy Rating (10X1000us)	50 J
Typical Capacitance	480 pF
Impulse Response Time	< 50 ns
Minimum Hipot of Coating	2500 VDC
Minimum I.R. of Coating	1000 $M\Omega$
Current/Energy Derating Above 85°C	-2.5 %/°C

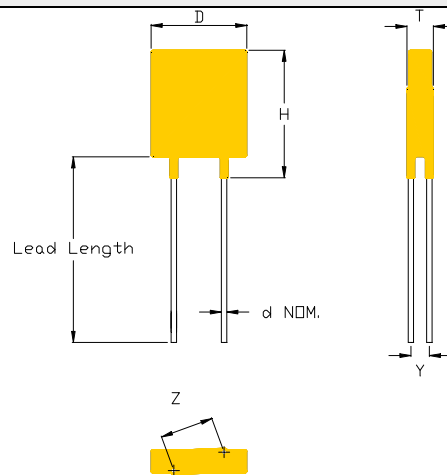
Thermal Specifications

Minimum Operating Temperature	-40 °C
Maximum Operating Temperature	85 °C
Varistor Voltage Temperature Coeff	-0.05 %/°C
Minimum Storage Temperature	-50 °C
Maximum Storage Temperature	125 °C
Recommended Solder Temperature	260 °C
Recommended Reflow Temperature	260 °C

Notes

Physical Specifications

Lead Style	082J1
X Nominal	0.3 in.
X Tolerance	0.04 in.
Y Nominal	0.123 in.
Y Tolerance	0.03 in.
Z Nominal	0.324 in.
Z Tolerance	0.04 in.
Lead Length Nominal	1.0 in.
Lead Length Tolerance	min. in.
d Nominal	0.032 in.
Wire Gauge	20 AWG
Minimum Marking	R61-HZ151
Nominal Disk Size	9 mm
D Maximum	0.454 in.
T Maximum	0.284 in.
H Maximum	0.579 in.
Coating Type	EPOXY



* Contact Maida for a more detailed configuration drawing.

Safety Agency Recognitions

UL 1449 File Number	PENDING
- Tested to Type:	
C-UL File Number	PENDING
CSA File Number	
VDE File Number	
SEV File Number	



www.maida.com

MAIDA DEVELOPMENT COMPANY

P.O. Box 3529

Hampton, Virginia 23663

Ph: (757) 723-0785 Fax (757) 722-1194