



LOW PROFILE SERIES

MAIDA STYLE NUMBER R65ZOV301RA350

MAIDA ITEM NUMBER 01-1334

VARISTOR SPEC SHEET

Electrical Specifications

Continuous AC Voltage	300	VAC
Continuous DC Voltage	390	VDC
Maximum DC Leakage @ 390 VDC	200	uA
Low Varistor Voltage Limit	425	VDC
High Varistor Voltage Limit	518	VDC
Nominal Varistor Voltage	472	VDC
Current for Varistor Voltage	1	mA
Maximum Clamp Voltage	760	V
Maximum Clamp Voltage Test Current	100	A
Peak Current Rating (1 Pulse)	10000	A
Peak Current Rating (2 Pulse)	7000	A
Energy Rating (8X20us)	350	J
Energy Rating (10X1000us)	350	J
Typical Capacitance	760	pF
Impulse Response Time	< 50	ns
Minimum Hipot of Coating	2500	VDC
Minimum I.R. of Coating	1000	MΩ
Current/Energy Derating Above 85°C	-2.5	%/°C

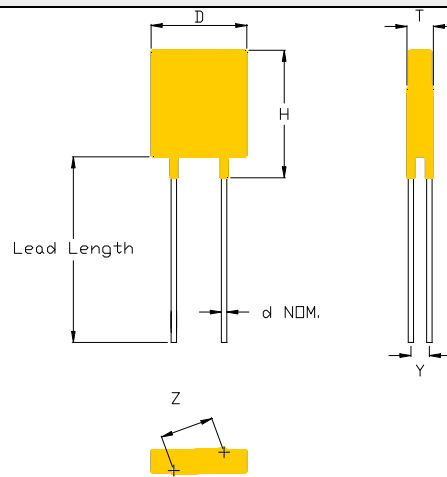
Thermal Specifications

Minimum Operating Temperature	-40	°C
Maximum Operating Temperature	85	°C
Varistor Voltage Temperature Coeff	-0.05	%/°C
Minimum Storage Temperature	-50	°C
Maximum Storage Temperature	125	°C
Recommended Solder Temperature	260	°C
Recommended Reflow Temperature	260	°C

Notes

Physical Specifications

Lead Style	110B1
X Nominal	0.3 in.
X Tolerance	0.04 in.
Y Nominal	0.114 in.
Y Tolerance	0.03 in.
Z Nominal	0.32 in.
Z Tolerance	0.04 in.
Lead Length Nominal	1.00 in.
Lead Length Tolerance	min. in.
d Nominal	0.032 in.
Wire Gauge	20 AWG
Minimum Marking	R65-301UL
Nominal Disk Size	17 mm
D Maximum	0.763 in.
T Maximum	0.305 in.
H Maximum	0.888 in.
Coating Type	EPOXY



* Contact Maida for a more detailed configuration drawing.

Safety Agency Recognitions

UL 1449 File Number	E321173
- Tested to Type:	2
CSA File Number	LR33468
VDE File Number	
SEV File Number	



MAIDA DEVELOPMENT COMPANY

P.O. Box 3529

Hampton, Virginia 23663

www.maida.com

Ph: (757) 723-0785 Fax (757) 722-1194