

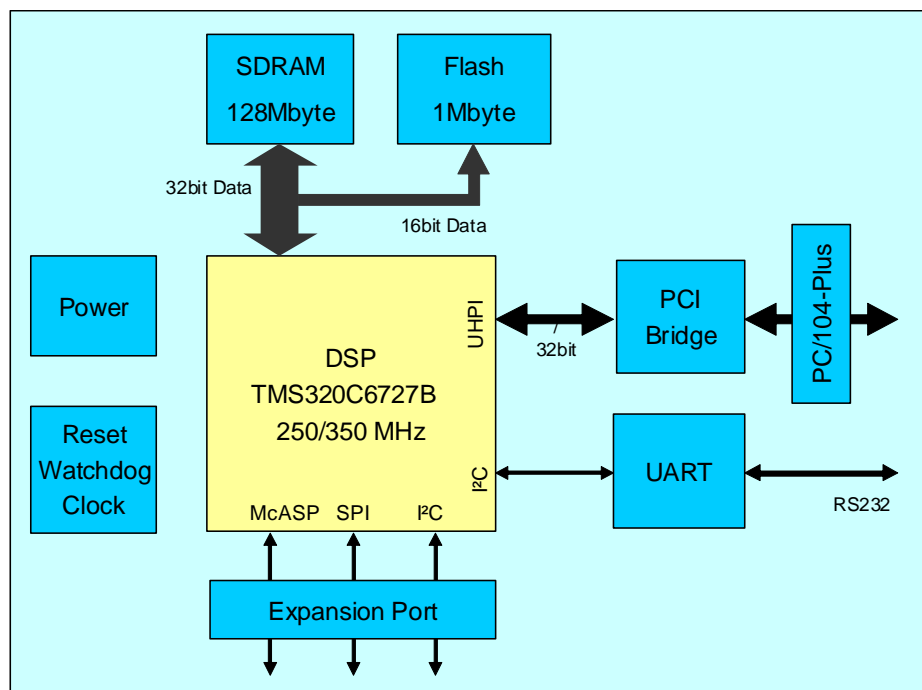
DSPE-67-104 PC/104-Plus DSP-Modul

Overview

DSPECIALISTS' DSP module DSPE-67-104 is based on Texas Instruments' DSP TMS320C6727B. It is made specially for industrial applications in the measuring application. The module meets the specification PC/104-Plus, is stand-alone enabled and will be delivered with Linux drivers. Software libraries for signal processing are available.

The DSP module provides 2800 MIPS or 2100 MFLOPS, 128 MB of SDRAM and 8 Mb Flash. For extreme environmental conditions, a version with extended temperature is available.

Block Diagram



Key Features

- PC/104-Plus (PCI) 32-bit DSP System
- Stand-alone operation
- Digital inputs and outputs as TDM or I²S
- External expansion via SPI and I²C
- boot option: Flash or host (via UHPI)
- Library of signal processing algorithms
- Linux driver

mass customization • state-of-the-art DSP technology • OEM delivery

Technical Specification

- Processor TI TMS320C6727B 250/350 MHz / 32 bit floating point, 2.1 GFLOPs
- Memory 2 Mbit internal SRAM at core speed, 32kbyte on-chip Cache
up to 128 MByte SDRAM, 32 bit interface, 133 MHz clock frequency
up to 1 MByte Flash, 16 bit interface, speed 70 ns
- Audio channels up to 12 x I²S data lines (24 channels), alternatively TDM
up to 192 kHz sample rate
- Serial interface UART (RS232), I²C, SPI, GPIO, LEDs and switches
JTAG connector
- Power supply 3.3 V via PC/104-Plus Connector
- Bus interface 32bit PCI via PC/104-Plus
- Outline PC/104-Plus form factor

mass customization • state-of-the-art DSP technology • OEM delivery

CONTACT US FOR MORE
INFORMATION AT:

DSPECIALISTS
Digitale Audio- und Messsysteme GmbH
Helmholtzstr. 2-9 L
10587 Berlin
Germany

ABOUT US

The products of DSPECIALISTS are distinguishable by the use of proven standard components. All products can be adapted to our clients' individual wishes. DSPECIALISTS offers anything from the development of customer-specific modules to complete systems. Aside from DSPs, we also make use of PC's, micro controllers and programmable logic.

Tel: +49 30 467805-0
Fax: +49 30 467805-99
E-mail: sales@dspecialists.de

VISIT OUR WEBSITE
www.dspecialists.de

DSPECIALISTS

Digitale Audio- und Messsysteme GmbH