

DSPE-64A

8 x 8 Analog Audio System

Overview

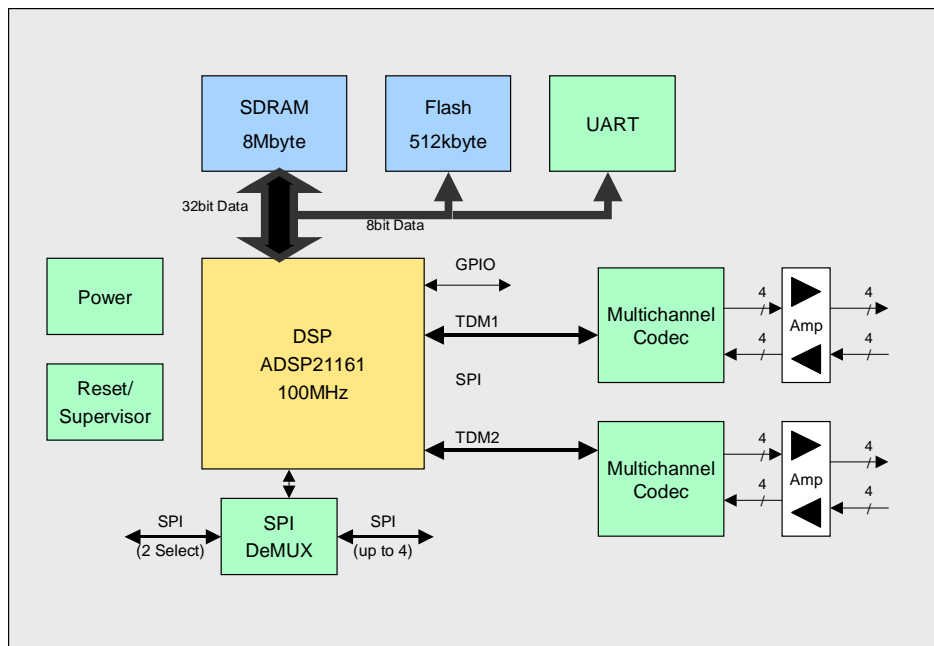
DSPECIALISTS analog audio system DSPE-64A is a compact DSP module based on Analog Devices ADSP21161. It allows processing of 8 input and 8 output channels sampled at 48 or 96 kHz and 24 bit.

Due to its on-board flash memory DSPE-64A is capable to run as a stand-alone system, It can be easily embedded into any customer-specific environment.

DSPE-64A covers a wide range of embedded multi-channel signal processing tasks like audio matrix, filtering, signal analysis, correlation, feature extraction and measurement.

The board is accompanied with hardware drivers and a software framework. For audio applications there is a wide range of approved standard library functions and a graphical user interface (GUI) available.

Block Diagram



Key Features

- Stand-alone 32-bit DSP system
- 8 analog inputs and 8 analog outputs
- Adaptable to customer-specific hardware
- Library for standard audio processing
- Software framework for customer-specific algorithms
- Parameter input via PC user interface
- Up to 16 software setups stored in Flash

Technical Specification

- Processor ADSP21161N / 100 MHz / V1.2
- SDRAM 4M x 32 / 100 MHz / CL2
- Flash 512K x 8 / 90 ns
- Channels 8 in / 8 out
- AD/DA Converter 2 x AD1836 codec
- Sample rate 48 kHz / opt. 96 kHz
- Level 1 V_{rms} / single ended / 8 in, 8 out
- Other levels On request
- Serial interface RS485 (4 wire), RS232 or Ethernet on request
- Debugging interface JTAG
- Digital interface optional S/P DIF
- Power supply 7 V DC, ± 12 V DC
- Outline 160 mm x 92 mm
- Unit address Up to 16 devices addressable
- GPIO pins Additional 2 input pins for external control
- Display connector SPI output for character displays

mass customization • state-of-the-art DSP technology • OEM delivery

CONTACT US FOR MORE
INFORMATION AT:

DSPECIALISTS
Digitale Audio- und Messsysteme GmbH
Helmholtzstr. 2-9 L
10587 Berlin
Germany

ABOUT US

The products of DSPECIALISTS are distinguishable by the use of proven standard components. All products can be adapted to our clients' individual wishes. DSPECIALISTS offers everything from the development of customer-specific modules to complete systems. Aside from DSPs, we also make use of PCs, micro controllers and programmable logic.

Tel: +49 30 467805-0
Fax: +49 30 467805-99
E-mail: sales@dspecialists.de

VISIT OUR WEBSITE
www.dspecialists.de

DSPECIALISTS

Digitale Audio- und Messsysteme GmbH