

DSPE-592

2 x 2 Telecom System

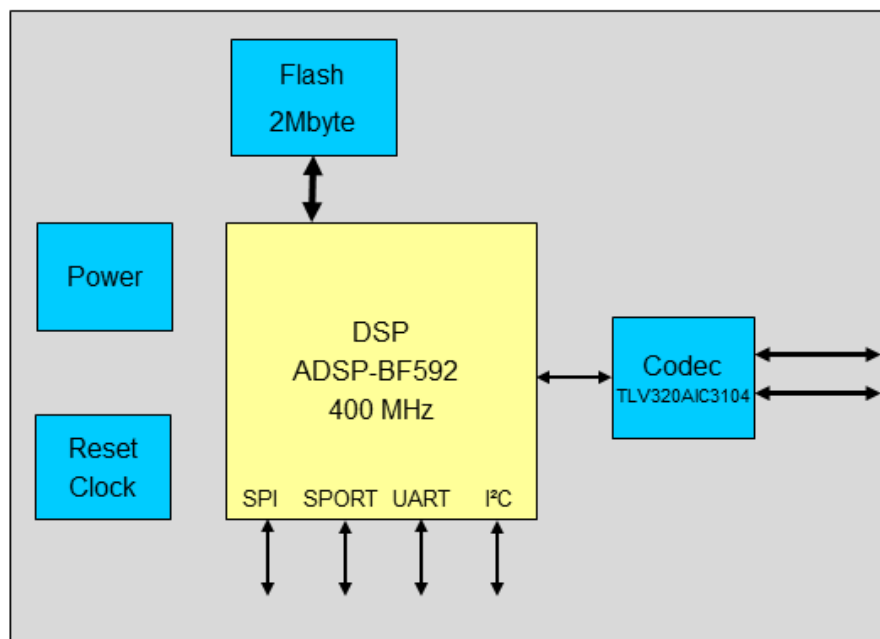
Overview

DSPECIALISTS telecom front-end module DSPE-592 is a compact DSP module based on Analog Devices ADSP-BF592. It allows processing of analog audio signals with a sample rate of 8 kHz up to 96 kHz and 24 Bit.

Due to its on-board flash memory DSPE-592 is capable to run as a stand-alone system, It can be easily embedded into any customer-specific environment.

DSPE-592 covers a wide range of embedded telecommunication tasks like noise cancellation, echo cancellation, Voice over IP, and audio transmission.

The board is accompanied with hardware drivers and a software framework. Software for echo cancellation and noise cancellation is also available and can be licensed in a bundle with the hardware board.



Key Features

- Stand-alone 16-Bit DSP system
- Stereo analog input and output
- Adaptable to customer-specific hardware
- Echo cancellation algorithm available
- Noise cancellation algorithm available
- Software framework for customer-specific algorithms

mass customization • state-of-the-art DSP technology • OEM delivery

Technical Specification

- Processor ADSP-BF592 / up to 400 MHz / 16 bit fixed point
- Memory 68k bytes internal SRAM at core speed
up to 2 MByte Flash, serial interface, 75 MHz bus speed
- Audio channels 2 fully differential inputs (line or mic) and 2 fully differential line outputs
8 to 96 kHz sample rate
(optional 4 single ended inputs, headphone output)
- Serial interface UART, I2C, SPI, I2S, GPIOs
JTAG connector, various boot options
- Power supply 3.3 V only, typ. 50mA (default)
- Ambient temperature range 0°C to +70°C (standard) or -40°C to +85°C (extended)
- Outline 51 mm x 27 mm
All signals at 2 base-board connectors (2 mm pitch, single row, 25 pins)

mass customization • state-of-the-art DSP technology • OEM delivery

CONTACT

DSPECIALISTS

Digitale Audio- und Messsysteme GmbH
Helmholtzstr. 2-9 L
10587 Berlin
Germany

ABOUT US

The products of DSPECIALISTS are distinguishable by the use of proven standard components. All products can be adapted to our clients' individual wishes. DSPECIALISTS offers anything from the development of customer-specific modules to complete systems. Aside from DSPs, we also make use of PC's, micro controllers and programmable logic.

Tel: +49 30 467805-0
Fax: +49 30 467805-99
E-mail: sales@dspecialists.de

VISIT OUR WEBSITE:
www.dspecialists.de

DSPECIALISTS

Digitale Audio- und Messsysteme GmbH