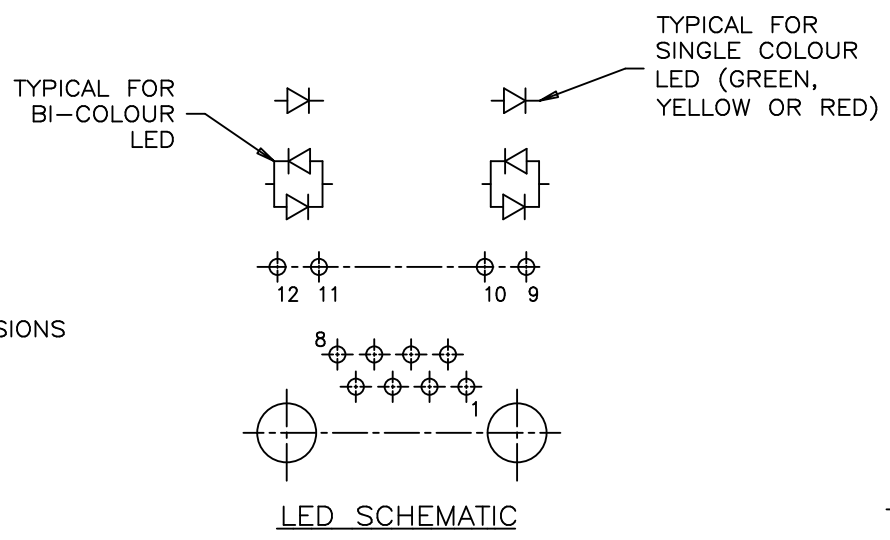
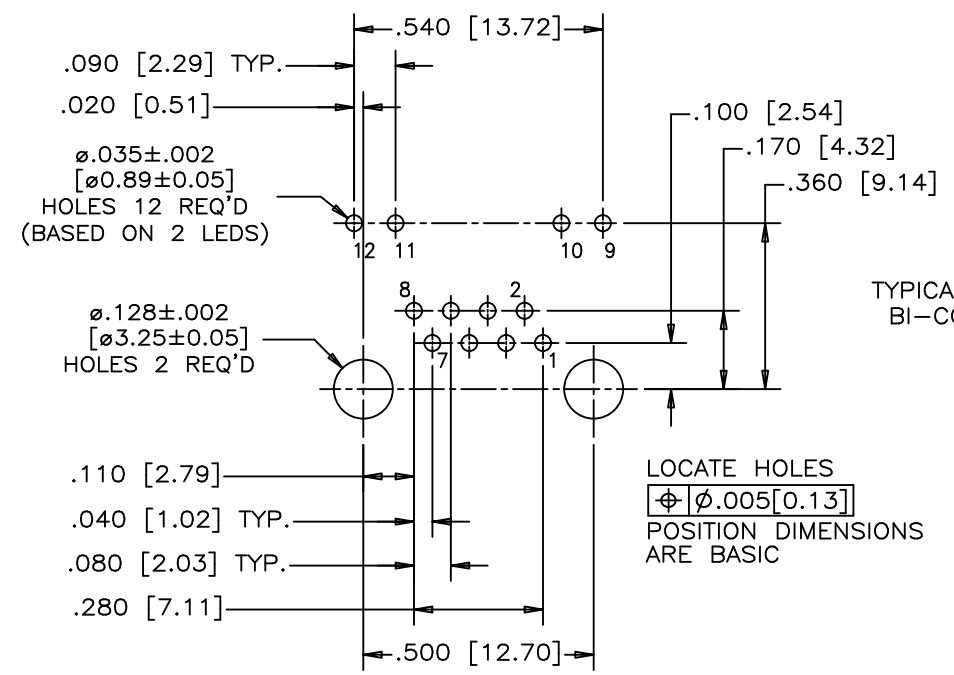
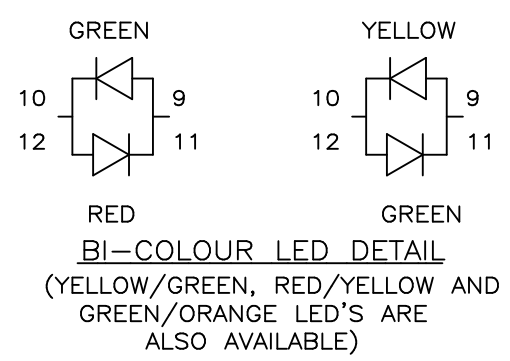
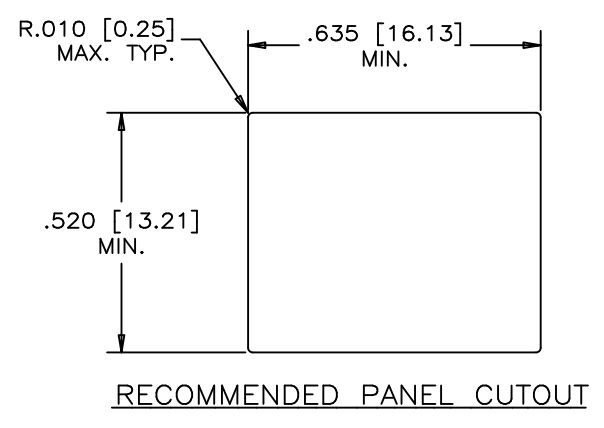
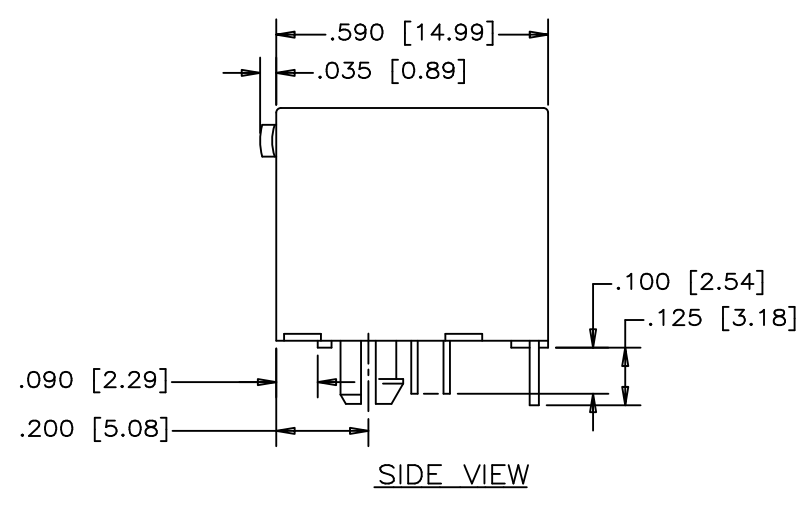
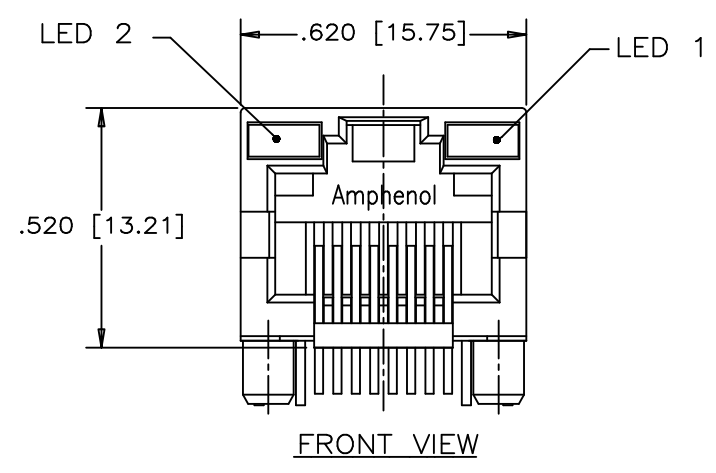


REVISIONS				
SYM	ZONE	ECN, ERN NO.	DATE	APPRD.
B		PROPOSAL	05/03/15	L.CHAN
C		CORRECT LED TAIL DIMENSION	AUG14/12	L.CHAN



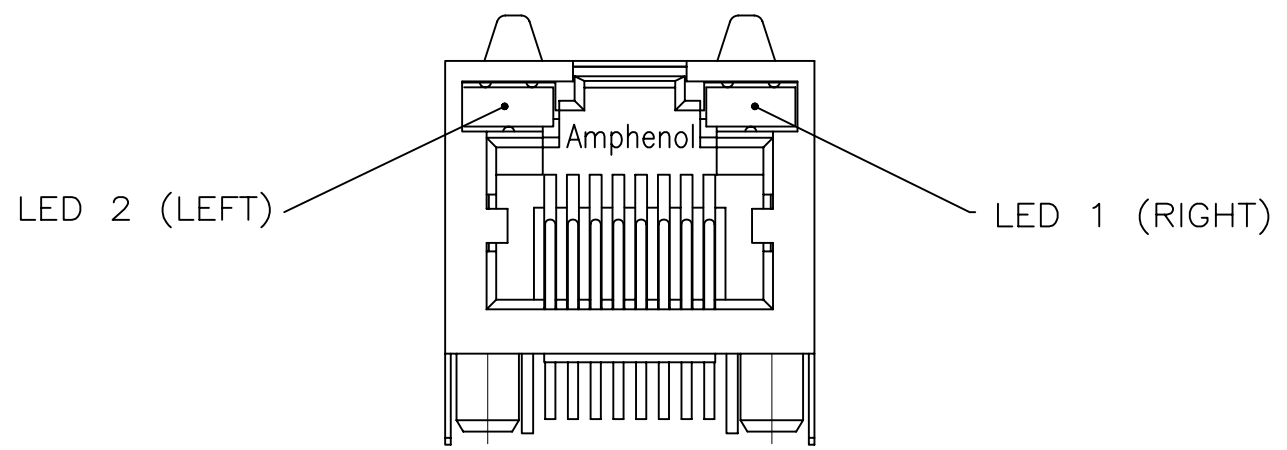
- MATERIALS:**  
 PLASTIC HOUSING: HIGH TEMPERATURE ENGINEERING THERMOPLASTIC  
 FLAMMABILITY RATING UL 94V-0  
 CONTACTS: PHOSPHOR BRONZE  
 PLATING: 50 μ" [1.27 MICRONS]  
 MIN. GOLD ON MATING SURFACES.  
 50 μ" [1.27 MICRONS]  
 MIN. NICKEL UNDERPLATE  
 100 μ" [2.54 MICRONS]  
 MIN. MATTE TIN ON CONTACT TAILS.
- MECHANICAL:**  
 MATING FORCE: 5.0 LBS MAX.  
 MATING CYCLES: 200
- ELECTRICAL:**  
 CONTACT RESISTANCE: 20 MILLIOHMS MAXIMUM  
 INSULATION RESISTANCE: 500 MEGOHMS MINIMUM  
 CURRENT RATING: 1.5 AMPS  
 VOLTAGE RATING: 125 VOLTS AC
- ENVIRONMENTAL:**  
 OPERATING TEMPERATURE: -45°C to 85°C  
 STORAGE TEMPERATURE: -20°C to 85°C  
 STORAGE LIFE: 1 YEAR  
 PACKAGING METHOD: TRAY PACKAGING
- UL FILE NUMBER:** E135615

**PART NUMBER: RJHSE-508X**  
 REFER TO LED OPTIONS DRAWING FOR ORDERING CODES

THIS DOCUMENT CONTAINS PROPRIETARY INFORMATION AND SUCH INFORMATION MAY NOT BE DISCLOSED TO OTHERS FOR ANY PURPOSE OR USED FOR MANUFACTURING PURPOSES WITHOUT WRITTEN PERMISSION FROM AMPHENOL CANADA CORP.

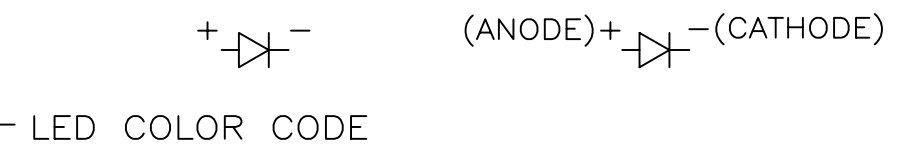
DRAWN PAUL WANG	DATE 05/10/28	<b>Amphenol Canada Corp.</b>		
DESIGNED				
CHECKED CHIGOW	05/10/28	TITLE SINGLE-PORT HIGH SPEED RJ45 MODULAR JACK, WITH LEDs, 8 POS. 8 CONTACTS, NO SHIELD-RoHS COMPLIANT		
I. E. APPRD.		DWG	DRAWING NO. P-RJHSE-508X	REV. C
Q. A. APPRD.				
DWG. APPRD.		SCALE: WT. ----- SURF. ----- SHEET 1 OF 1		
ENG. REL. NO.		DIMENSIONS ARE IN INCHES [mm] CODE ID. NO. 03554		

REVISIONS				
SYM	ZONE	ECN, ERN NO.	DATE	APPRD.
A		PROPOSAL	SEP21/04	



**LED SPECIFICATIONS:**  
 FORWARD VOLTAGE: 2.1 VOLTS TYP.  
 REVERSE VOLTAGE: 5.0 VOLTS MIN.  
 LUMINOUS INTENSITY: 0.5 mCd MIN.  
 (AT If=2mA)  
 STORAGE TEMPERATURE: -20° TO 85° C  
 LEAD SOLDERING TEMPERATURE: 260° C  
 (5 SEC, 1/16" FROM CASE)  
 PLATING ON TAILS: TIN OR TIN/COPPER  
 ALLOY OVER SILVER

**EXAMPLE:**  
 PART NUMBER RJHSE-538X

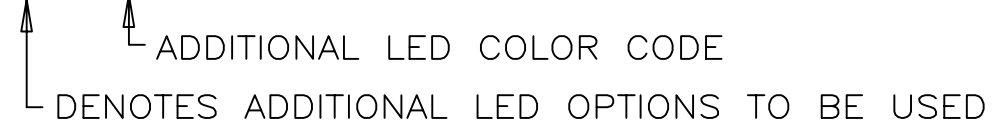


CODE	LED 2 (LEFT)	LED 1 (RIGHT)	CODE	LED 2 (LEFT)	LED 1 (RIGHT)	CODE	LED 2 (LEFT)	LED 1 (RIGHT)
0	BLOCKED	BLOCKED	9	GREEN	BLOCKED	J	BiC RD/GR	YELLOW
1	YELLOW	GREEN	A	BiC GR/YE	BiC GR/YE	K	YELLOW	BiC GR/OR
2	BLOCKED	GREEN	B	BiC RD/GR	BiC RD/GR	L	BiC GR/YE	RED
3	YELLOW	BLOCKED	C	BiC RD/GR	BiC GR/YE	M	RED	YELLOW
4	GREEN	YELLOW	D	GREEN	BiC GR/YE	P	GREEN	BiC RD/GR
5	GREEN	GREEN	E	YELLOW	BiC GR/YE	R	BiC GR/OR	GREEN
6	YELLOW	YELLOW	F	BiC GR/YE	YELLOW	T	RED	RED
7	RED	GREEN	G	BiC GR/OR	BiC GR/OR	V	BiC RD/GR	GREEN
8	GREEN	RED	H	BiC GR/YE	GREEN	W	ADDITIONAL OPTIONS	

PRIMARY COLOR FOR BI-COLOR  
 LEDs IN STANDARD ANODE/  
 CATHODE CONFIGURATION IS:  
 RED-GREEN= RED  
 RED-YELLOW= RED  
 GREEN-YELLOW= GREEN  
 GREEN-ORANGE= GREEN

**LEGEND**  
 BiC=BI-COLOR LED  
 LOWC=LOW CURRENT LED  
 YE=YELLOW  
 GR=GREEN  
 RD=RED  
 OR=ORANGE

**EXAMPLE OF ADDITIONAL LED OPTIONS:**  
 PART NUMBER RJHSE-538W-01Y



CODE	LED 2 (LEFT)	LED 1 (RIGHT)	CODE	LED 2 (LEFT)	LED 1 (RIGHT)	CODE	LED 2 (LEFT)	LED 1 (RIGHT)
0	DO NOT USE		5	BLOCKED	YELLOW	A	LOWC YE	LOWC YE
1	RED	BLOCKED	6	RED	BiC RD/GR	B	LOWC YE	LOWC GR
2	BiC GR/OR	YELLOW	7	BLOCKED	BiC RD/GR	C	LOWC GR	LOWC YE
3	YELLOW	RED	8	BiC RD/GR	BLOCKED	D	LOWC GR	LOWC GR
4	BLOCKED	RED	9	BiC GR/YE	BLOCKED	M	LOWC RD	LOWC YE

**NOTE:**  
 THE TWO DIGITS PRECEDING THE  
 ADDITIONAL LED CODE MUST BE  
 USED IN THE PART NUMBER, WHEN  
 ORDERING ANY OF THE ADDITIONAL  
 LED OPTIONS.

THIS DOCUMENT CONTAINS PROPRIETARY INFORMATION AND SUCH INFORMATION  
 MAY NOT BE DISCLOSED TO OTHERS FOR ANY PURPOSE OR USED FOR MANUFACTURING  
 PURPOSES WITHOUT WRITTEN PERMISSION FROM AMPHENOL CANADA CORP.

DRAWN K. LAMBIE	DATE SEP21/04	Amphenol Canada Corp.			
DESIGNED					
CHECKED		TITLE LED OPTIONS FOR RJHSE, SINGLE OR MULTI-PORT CONNECTORS - RoHS COMPLIANT			
I. E. APPRD.					
Q. A. APPRD.		DWG	DRAWING NO.	REV.	
DWG. APPRD.			P-RJHSE-LEDS	A	
ENG. REL. NO.		SCALE	WT. -----	SURF. -----	SHEET 1 OF 1
REF. EAR 12481					
DIMENSIONS ARE IN INCHES [mm]	CODE ID. NO. 03554				