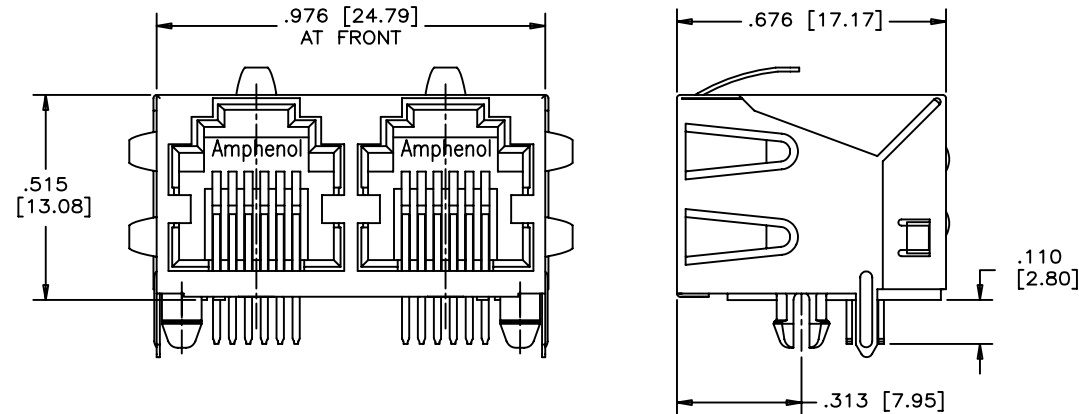


REVISIONS				
SYM	ZONE	ECN, ERN NO.	DATE	APPRD.
D		REVISED PROPOSAL DRAWING	JAN13/09	L.CHAN



MATERIALS:

PLASTIC HOUSING: HIGH TEMPERATURE RESISTANT NYLON
UL FLAMMABILITY RATING 94V-0.
SOLDER REFLOW PROCESS COMPATIBLE.

CONTACTS: PHOSPHOR BRONZE
CONTACT PLATING: 50 MICROINCHES [1.27 MICRONS] MINIMUM GOLD ON MATING SURFACES
50 MICROINCHES [1.27 MICRONS] MINIMUM NICKEL UNDERPLATE
100 MICROINCHES [2.54 MICRONS] MATTE TIN ON CONTACT TAILS.

SHIELD: COPPER ALLOY; NICKEL PLATED WITH TIN DIPPED PCB TAILS.

RECOMMENDED SOLDERING TEMPERATURE:
WAVE SOLDERING OR REFLOW SOLDERING AT 260°C
MAXIMUM FOR 5 SEC MAXIMUM.

ELECTRICAL

- VOLTAGE RATING: 125 VAC RMS MAX.
- CURRENT RATING: 1.5 AMPS MAX.
- CONTACT RESISTANCE: 30 MILLIOHMS MAX.
- INSULATION RESISTANCE: 500 MEGAOHMS MIN.
- DWV: 1000VAC RMS 60 HZ , 1 MIN.

MECHANICAL

- MATING DURABILITY: 500 CYCLES MIN.
- PCB THICKNESS: .062"
- PCB RETENTION PRE-SOLDER: 1.0 LB MIN.
- PCB RETENTION POST-SOLDER: 10.0 LB MIN.

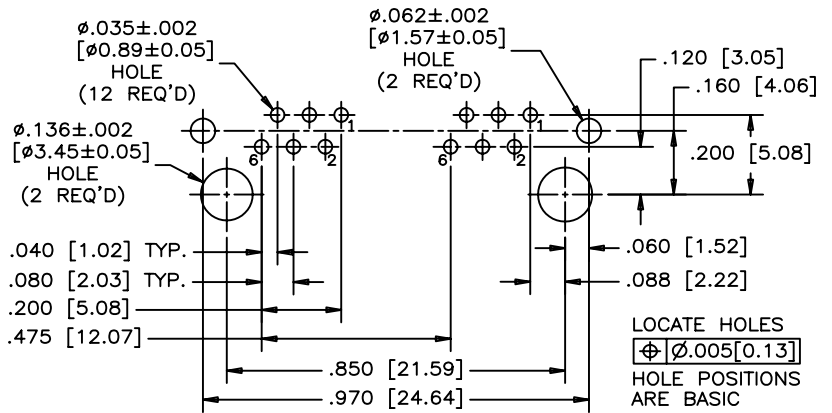
ENVIRONMENTAL

- STORAGE: -25 °C TO 80°C
- OPERATION: -10°C TO 70°C

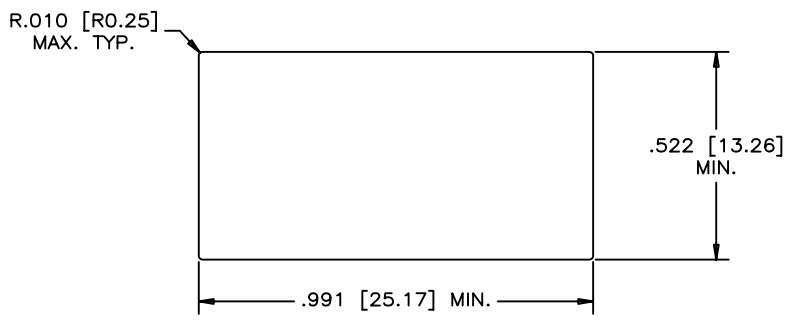
REGULATORY

- UL AND CSA COMPLIANT.
- MEETS FCC PART 68 REQUIREMENTS

PART NUMBER: RJE01-662-02



RECOMMENDED P.C.B. LAYOUT
(COMPONENT SIDE OF BOARD)



RECOMMENDED PANEL CUTOUT

THIS DOCUMENT CONTAINS PROPRIETARY INFORMATION AND SUCH INFORMATION MAY NOT BE DISCLOSED TO OTHERS FOR ANY PURPOSE OR USED FOR MANUFACTURING PURPOSES WITHOUT WRITTEN PERMISSION FROM AMPHENOL CANADA CORP.

DRAWN L.CHAN	DATE NOV.9/04	Amphenol Canada Corp.	
DESIGNED			
CHECKED K.LAMBIE	01/06/18		
I. E. APPRD.			
Q. A. APPRD.		TITLE	HIGH SPEED MODULAR JACK, 2 PORT, 6 POSITION, 6 CONTACTS, SHIELDED WITH TOP & SIDE GROUND TABS RoHS COMPLIANT
DWG. APPRD.		DWG	DRAWING NO. P-RJE01-662-02
ENG. REL. NO.		REF.	EAR 12575
DIMENSIONS ARE IN INCHES [mm]	CODE ID. NO. 03554	SCALE	4/1
		WT.	-----
		SURF.	-----
		SHEET	1 OF 1