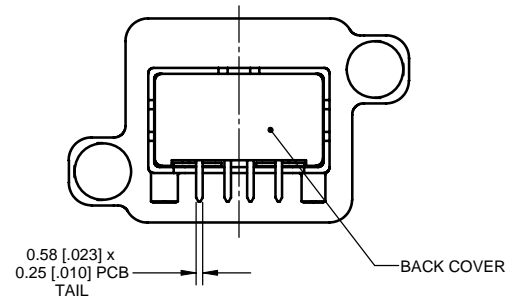
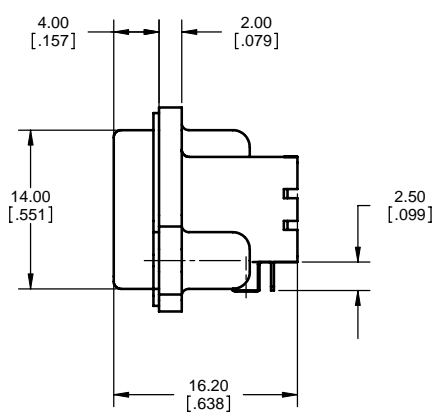
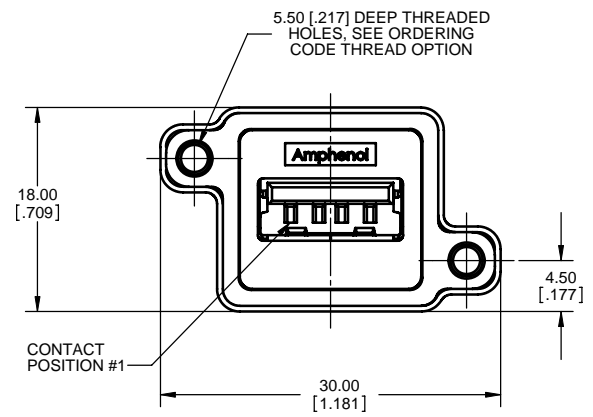


REV - DESCRIPTION - DATE - APPROVED
D - PRODUCT DWG (EAR 13196) - NOV23/07 - K.L.
E - PRODUCT DWG (EAR 13219) - JAN28/08 - K.L.



ORDERING CODE: MUSB-A111-XX

SERIES, RUGGED USB

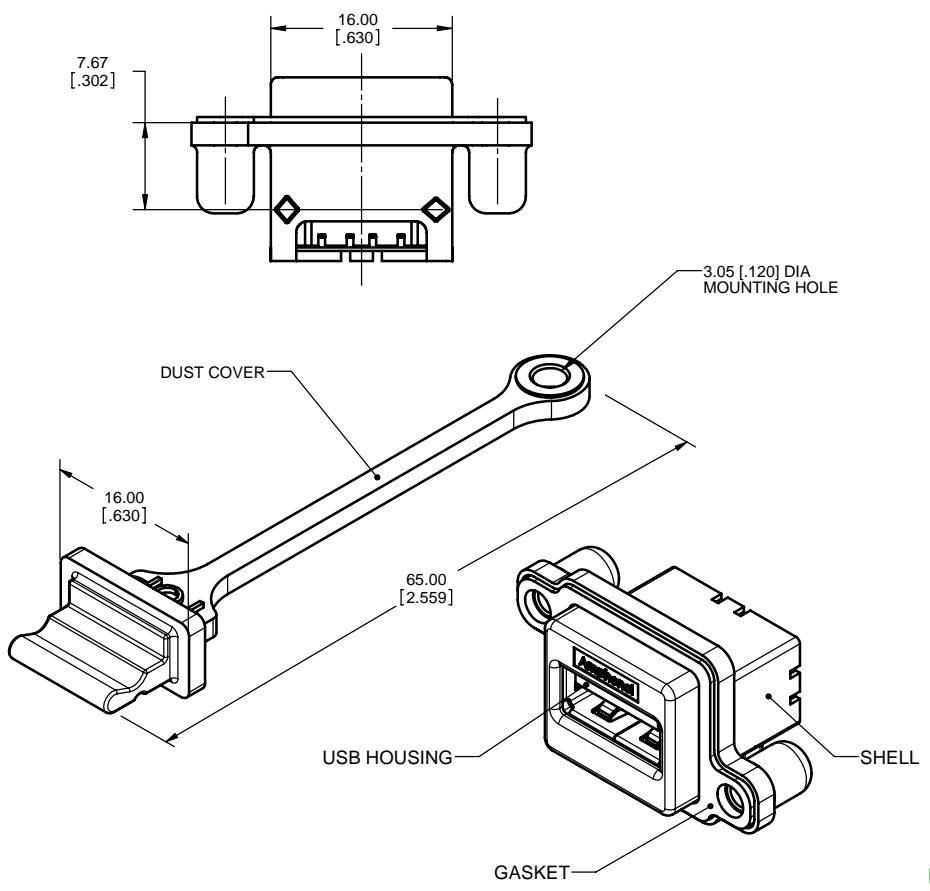
USB SERIES 'A' RECEPTACLE, SINGLE PORT, RIGHT ANGLE PCB TAIL

THREAD OPTION
 3 = #4-40 UNC THREAD
 M = M3 x 0.5 THREAD

DUST COVER OPTION
 0 = NO DUST COVER SUPPLIED
 1 = WITH GREY DUST COVER SUPPLIED
 5 = WITH BLACK DUST COVER SUPPLIED

NOTES:

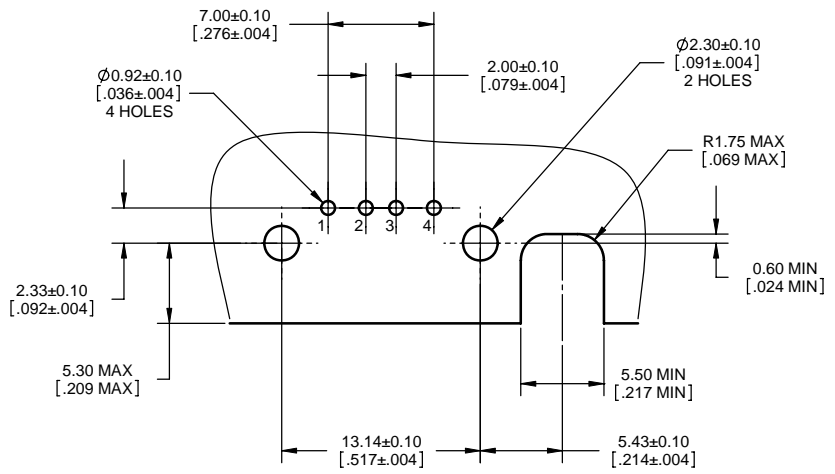
1. MATERIAL:
 - ALL MATERIALS ARE RoHS COMPLIANT PER EU DIRECTIVE 2002/95/EC AND AMENDMENTS
 - OUTER SHELL - DIECAST ZINC ALLOY, NICKEL PLATED
 - CONTACTS - PHOSPHOR BRONZE, PLATED WITH 0.76 MICRONS (30 MICROINCHES) GOLD OVER 1.27 MICRONS (50 MICROINCHES) MINIMUM NICKEL ON THE MATING AREA WITH TIN PLATING ON THE TAILS.
 - USB HOUSING - ENGINEERING THERMOPLASTIC, HIGH TEMPERATURE RESISTANT, FLAMMABILITY RATING UL94V-0, BLACK.
 - USB SHELL & BACK COVER - COPPER ALLOY, NICKEL PLATED
 - GASKET - SILICONE RUBBER, BLACK
 - DUST COVER - SILICONE RUBBER WITH NICKEL PLATED BRASS MOUNTING INSERT. SEE ORDERING CODE FOR DUST COVER COLOUR OPTIONS.
2. ENVIRONMENTAL PERFORMANCE PER IEC 60529 CODE IP67 FOR SEAL BETWEEN MATING AREA AND PCB SIDE OF CONNECTOR. GASKET PROVIDES SEAL TO INSIDE FACE OF ENCLOSURE PANEL. AVAILABLE DUST COVER PROVIDES ADDED PROTECTION.
3. CURRENT RATING: 1.5 AMPERES
4. CONTACT RESISTANCE: 30 MILLIOHMS MAXIMUM.
5. OPERATING TEMPERATURE: -40°C TO +105°C.
6. DUST COVERS MAY BE ORDERED SEPARATELY. SPECIFY
 - PART NUMBER MUSB-2A111-014BP FOR THE GREY COVER OR
 - PART NUMBER MUSB-2A111-024BP FOR THE BLACK COVER.



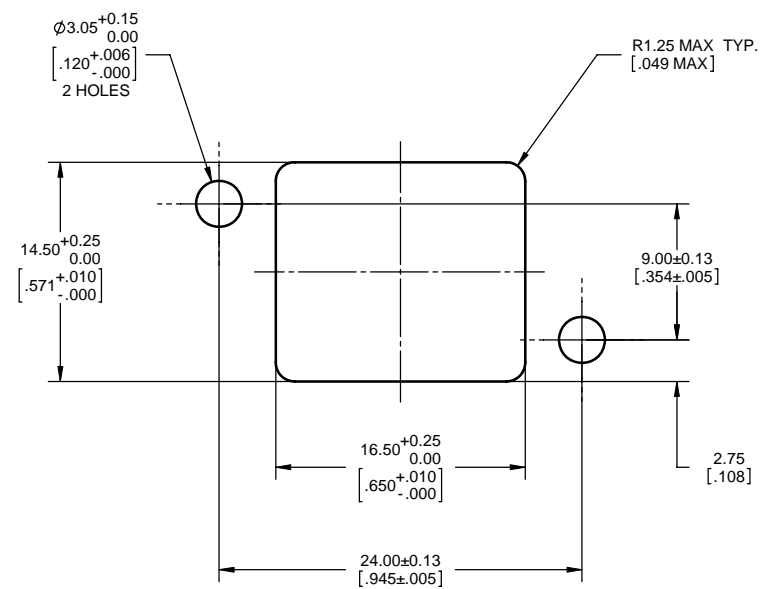
UNLESS OTHERWISE SPECIFIED DIMENSIONS ARE IN MILLIMETER TOLERANCES ARE:		APPROVALS	DATE	Amphenol Canada Corp.		
DECIMALS .XX ± 0.25	ANGLES ± 1°	DRAWN S.SEMENOV	MAR01/07			
MATERIAL AND FINISH		DESIGNED S.SEMENOV	MAR01/07	TITLE MUSB SERIES RUGGED USB CONNECTOR, SERIES 'A' RECEPTACLE, SINGLE PORT, RIGHT ANGLE PCB TAIL, THREAD AND DUST COVER OPTIONS, RoHS COMPLIANT		
		CHECKED				
REF.		QA APP'D		SIZE C	DWG. NO. P-MUSB-A111-XX	REV. E
		IE APP'D		SCALE 3:1	PROJECT MUSB	SHEET 1 OF 2
CODE IDENT. NO.		DWG APP'D A.GREEN	MAR01/07			

DO NOT SCALE DRAWING
 THIS DOCUMENT CONTAINS PROPRIETARY INFORMATION AND SUCH INFORMATION MAY NOT BE DISCLOSED TO OTHERS FOR ANY PURPOSE OR USED FOR MANUFACTURING PURPOSES WITHOUT PERMISSION FROM AMPHENOL CANADA CORP.

REV - DESCRIPTION - DATE - APPROVED
D - PRODUCT DWG (EAR 13196) - NOV23/07 - K.L.
E - PRODUCT DWG (EAR 13219) - JAN28/08 - K.L.



RECOMMENDED PCB LAYOUT
COMPONENT SIDE OF BOARD



RECOMMENDED PANEL CUTOUT



DO NOT SCALE DRAWING
THIS DOCUMENT CONTAINS PROPRIETARY INFORMATION AND SUCH INFORMATION MAY NOT BE DISCLOSED TO OTHERS FOR ANY PURPOSE
OR USED FOR MANUFACTURING PURPOSES WITHOUT PERMISSION FROM AMPHENOL CANADA CORP.

UNLESS OTHERWISE SPECIFIED DIMENSIONS ARE IN MILLIMETER TOLERANCES ARE: DECIMALS .XX ± 0.25 ANGLES ± 1°	APPROVALS	DATE	Amphenol Canada Corp.		
	DRAWN S.SEMENOV	MAR01/07			
MATERIAL AND FINISH	DESIGNED S.SEMENOV	MAR01/07	TITLE MUSB SERIES RUGGED USB CONNECTOR, SERIES 'A' RECEPTACLE, SINGLE PORT, RIGHT ANGLE PCB TAIL, THREAD AND DUST COVER OPTIONS, RoHS COMPLIANT		
	CHECKED				
REF.	QA APP'D		SIZE C	DWG. NO. P-MUSB-A111-XX	REV. E
	IE APP'D		SCALE 4:1	PROJECT MUSB	SHEET 2 OF 2
CODE IDENT. NO.	DWG APP'D A.GREEN	MAR01/07			