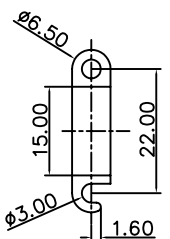
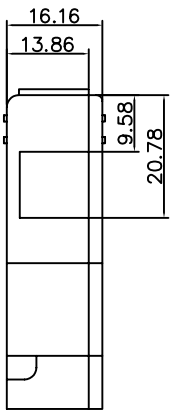
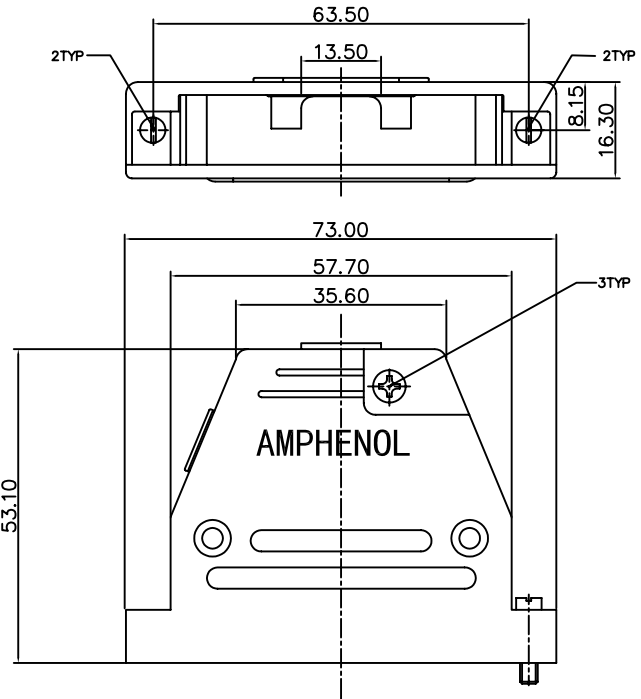
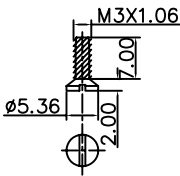


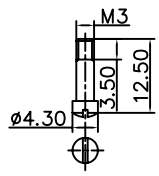
This document is the property of Amphenol Corporation and is delivered on the express condition that it is not to be disclosed, reproduced or used, in whole or in part, for manufacture or sale by anyone other than Amphenol Corporation without its prior consent, & that no right is granted to disclose or to use any information in this document.



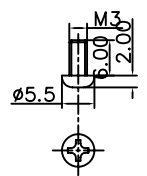
1 Pcs



1  
2 Pcs



2  
2 Pcs



3  
2 Pcs

# Customer Drawing

REVISIONS				
SYM	ECN	DESCRIPTION	DATE	APPROVED
1			12/15/08	

### D-SUB TECHNICAL DATA

Hood, plastic, For 37 positions D-SUB connectors  
 MATERIAL : Plastic  
 CLIMATIC : Temperature range -30 °C up to 90°C  
 MARKING : Amphenol-...(Series No.)  
 Commercial reference  
 Manufacturing date

### PRODUCT CODE

ROHS L 17159006

UNLESS OTHERWISE SPECIFIED TOLERANCES		APPROVAL		DATE
U.S.	METRIC	DRAWN	Checked out	12/15/08
.X +/-	0.50	Cristiano		
.XX +/-	0.30	Checked	12/15/08	
.XXX +/-	0.20	Checked		
FRACTIONS +/-				
ANGLES +/-	2'			
FOR MATERIALS AND FINISHES SEE NOTES		DRAWING FILE :		
REMOVE SHARP EDGES		ANGLE OF PROJECTION		
DIMENSIONS				
U.S.	INCHES			
METRIC	MM			

Amphenol®		
TITLE hood		
SIZE	DRAWING NO.	REV.
A4	C L17159006	1
SCALE	NONE	SHEET 1 OF 1