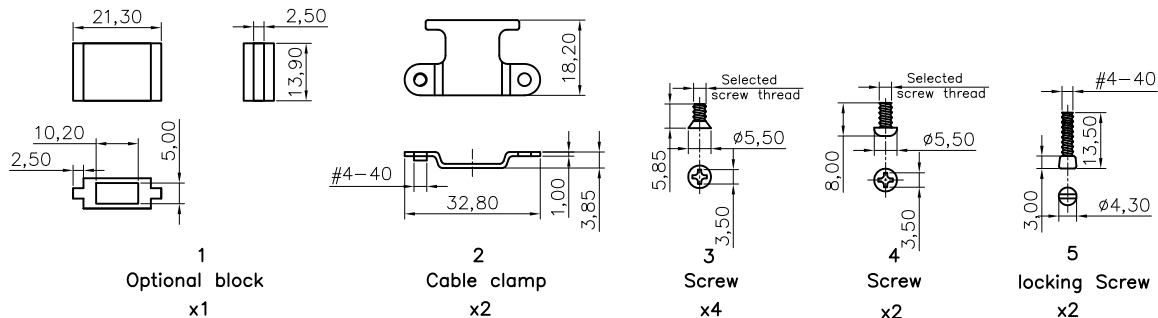
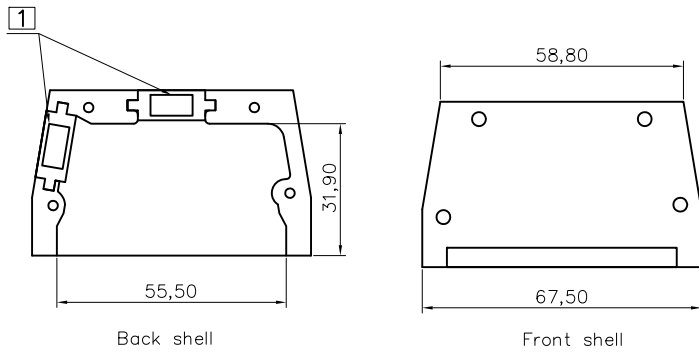
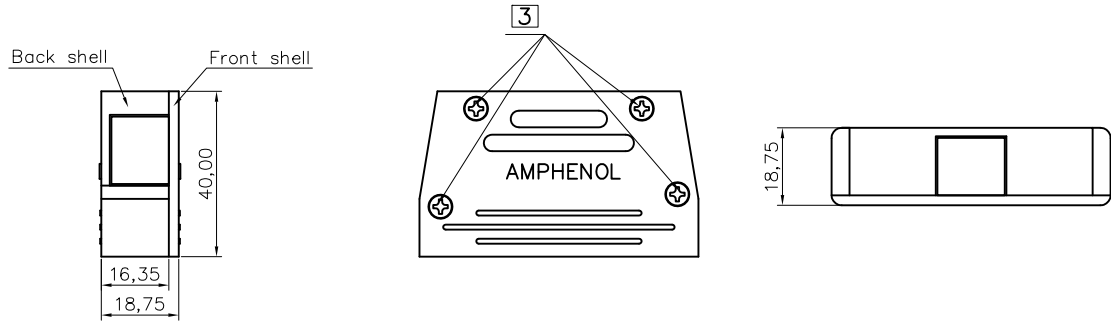


This document is the property of Amphenol Corporation and is delivered on the express condition that it is not to be disclosed, reproduced or used, in whole or in part, for manufacture or sale by anyone other than Amphenol Corporation without its prior consent, & that no right is granted to disclose or to use any information in this document.

# Customer drawing



REVISIONS				
SYM	ECN	DESCRIPTION	DATE	APPROVED
1			Mar/23/11	

## D-SUB TECHNICAL DATA

Material and finish:

Shell: Thermoplastic, UL94-V0, Color black

Screws: Steel, nickel plated, indication of thread should be matched with the shell

Cable clamp: Steel, nickel plated

Temperature range: -40°C to 120°C

Hood for 50 pins Dsub connector

UNLESS OTHERWISE SPECIFIED TOLERANCES		APPROVAL	DATE
U.S.	METRIC	DRAWN	DATE
.X +/-	0.50	Marg.ma	Mar/23/11
.XX +/-	0.30	CHECKED	Wk.wang
.XXX +/-	0.20	CHECKED	Mar/23/11
FRACTIONS +/-			
ANGLES +/-	2'		
FOR MATERIALS AND FINISHES SEE NOTES		DRAWING FILE :	
REMOVE SHARP EDGES		ANGLE OF PROJECTION	
DIMENSIONS			
U.S. INCHES	METRIC MM		

Amphenol		SIZE	DRAWING NO.	REV.
Amphenol East Asia Limited		A4	C L171374	1
TITLE		SCALE	SHEET 1 OF 1	
Metalized and plastic HOOD		NONE		