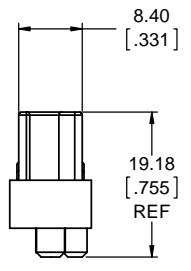
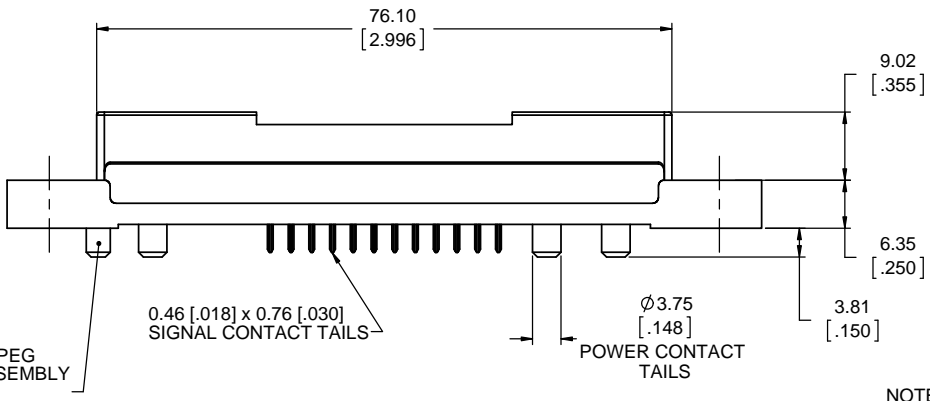
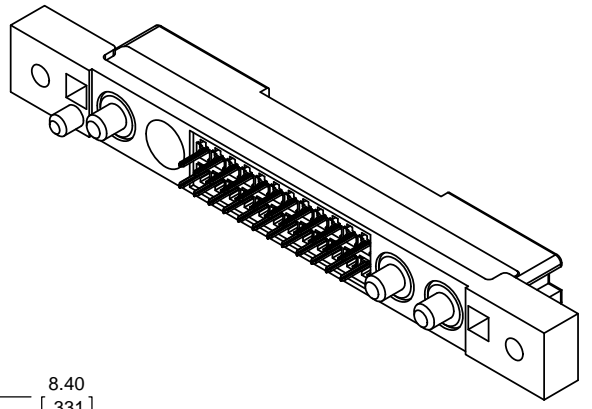
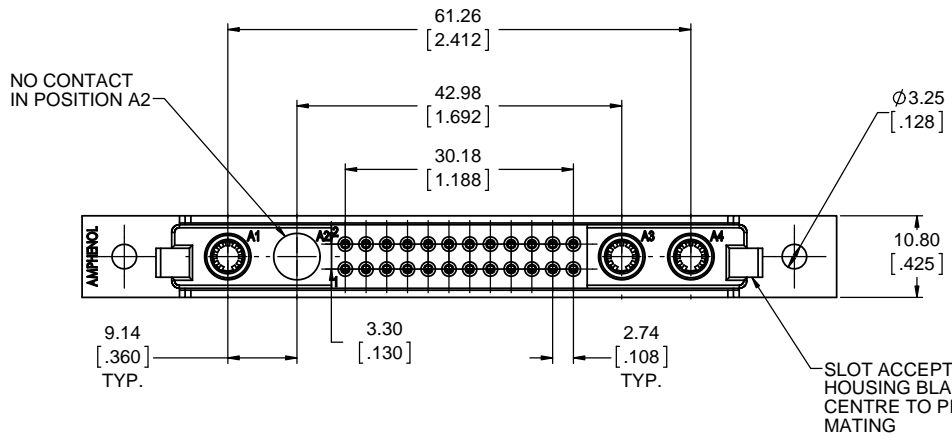


REVISIONS			
REV	DESCRIPTION, ECG, EAR NO.	DATE	APPD
A	PROPOSAL DRAWING (EAR 14107)	AUG01/12	K.L.

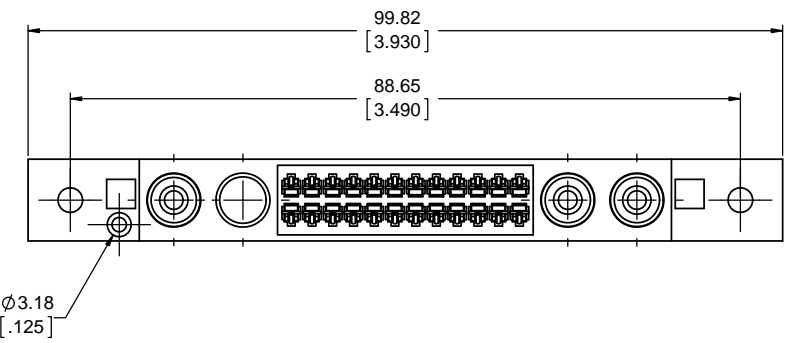


**NOTES:**

- MATERIALS:** ALL MATERIALS ARE RoHS COMPLIANT PER EU DIRECTIVE 2002/95/EC AND AMENDMENTS.

  - HOUSING:** HIGH TEMPERATURE RESISTANT NYLON, UL FLAMMABILITY RATING 94V-0, COLOUR BLACK
  - SIGNAL CONTACTS:** PHOSPHOR BRONZE PLATED WITH 0.38µm (15µ") GOLD OVER NICKEL ON THE MATING AREA AND 2.54µm (100µ") MATTE TIN OVER NICKEL ON THE TAILS.
  - POWER CONTACTS:** BERYLLIUM COPPER COOLBAND MATING GRID, PLATED WITH 5.08µm (200µ") SILVER OVER 1.27µm (50µ") NICKEL. GRID HOLDER, COPPER ALLOY PLATED WITH 0.76µm (30µ") SILVER OVER 1.27µm (50µ") NICKEL.
- WHEN MATED WITH PIN CONNECTOR P/N DWR-T424P-V236-90, THE ORDER OF MECHANICAL AND ELECTRICAL ENGAGEMENT IS A) HOUSING BLADES, B) HOUSING SHROUD, C) POWER CONTACTS, D) SIGNAL CONTACTS**
- ELECTRICAL CHARACTERISTICS**

  - CURRENT RATING: 55A PER CONTACT, 5A SIGNAL.
  - DIELECTRIC WITHSTANDING VOLTAGE: 1500VDC
  - INSULATION RESISTANCE: 5000 MEGOHMS
  - OPERATING TEMPERATURE: -55C TO +105C



**AMPHENOL PART NUMBER: DWR-T424S-V236-90**

UNLESS SPECIFIED OTHERWISE	DRAWN	J.VANDERWINDT	JUL31/12
PRIMARY UNITS MILLIMETERS	CHECKED	K.LAMBIE	AUG01/12
SECONDARY INCHES	M.E. APPD		
REFERENCE IN PARENTHESES	Q.A. APPD		
GENERAL TOLERANCES	DWG APPR.		
1 DECIMAL PLACE	ENG. REL. NO.	EAR 14107	
2 DECIMAL PLACES	REF.		
3 DECIMAL PLACES	THIRD ANGLE PROJECTION		
ANGULAR DEGREES	DO NOT SCALE DRAWING		

**Amphenol Canada Corp.**  
[www.amphenolcanada.com](http://www.amphenolcanada.com)  
**DWR SERIES SLIM DRAWER SOCKET CONNECTOR, SIZE CB8, VERTICAL PCB TAILS POSITION A2 OMITTED, RoHS COMPLIANT**

DWG. NO. **P-DWR-T424S-V236-90** REV **A**

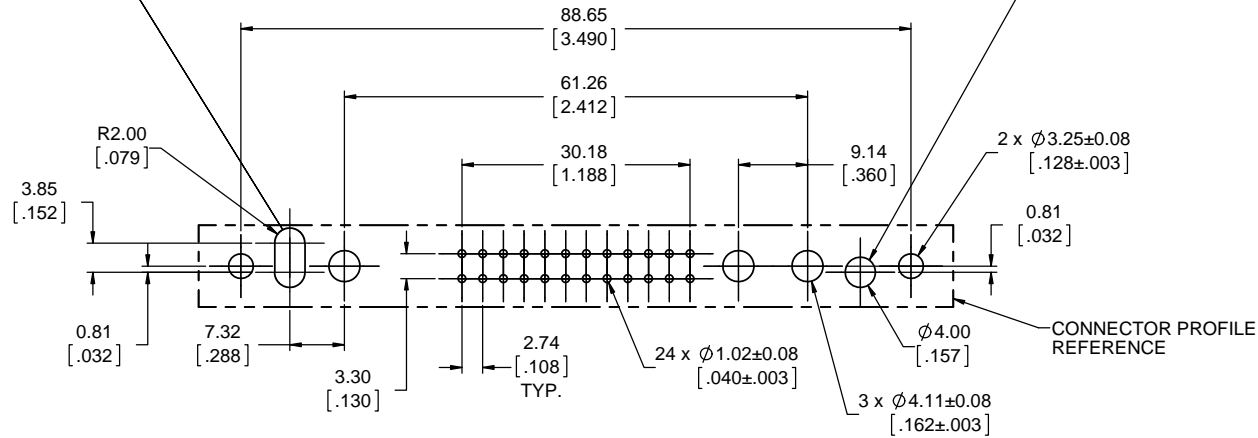
CODE ID NO. 03554 | DWG SIZE: X | SCALE: 2:1 | SHEET 1 OF 2

SLOT & HOLE WILL CLEAR  
ORIENTATION PEG & MATING  
PIN HOUSING BLADES  
PLATING NOT REQUIRED

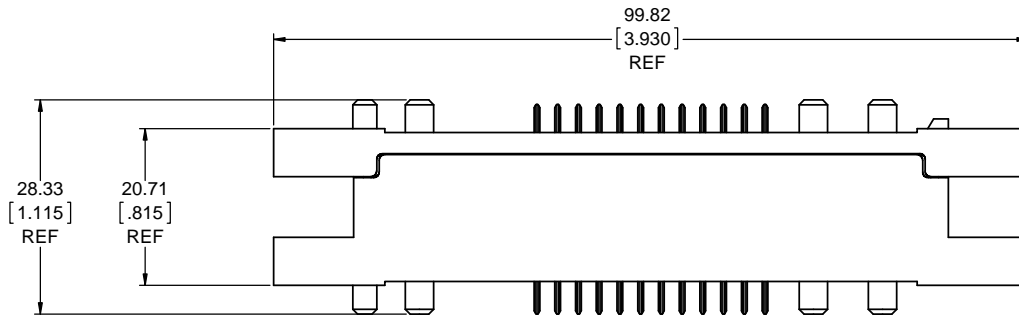
LOCATE HOLES

$\varnothing 0.13$  [0.005]

POSITION DIMENSIONS  
ARE BASIC



RECOMMENDED PCB LAYOUT  
(COMPONENT SIDE OF BOARD)



PIN AND SOCKET MATED ASSEMBLY  
DWR-T424P-V236-90 AND DWR-T424S-V236-90

REVISIONS			
REV	DESCRIPTION, ECN, EAR NO.	DATE	APP'D
A	PROPOSAL DRAWING (EAR 14107)	AUG01/12	K.L.



UNLESS SPECIFIED OTHERWISE	DRAWN J.VANDERWINDT	JUL31/12
PRIMARY UNITS MILLIMETERS	CHECKED K.LAMBIE	AUG01/12
SECONDARY INCHES	M.E. APP'D	
REFERENCE IN PARENTHESES	Q.A. APP'D	
GENERAL TOLERANCES	DWG APPR.	
1 DECIMAL PLACE	ENG. REL. NO.	EAR 14107
2 DECIMAL PLACES	REF.	
3 DECIMAL PLACES	THIRD ANGLE PROJECTION	
ANGULAR DEGREES	DO NOT SCALE DRAWING	

<b>Amphenol Canada Corp.</b>			
<a href="http://www.amphenolcanada.com">www.amphenolcanada.com</a>			
DWR SERIES SLIM DRAWER SOCKET CONNECTOR, SIZE CB8, VERTICAL PCB TAILS POSITION A2 OMITTED, RoHS COMPLIANT			
DWG. NO.	P-DWR-T424S-V236-90		REV A
CODE ID NO.	03554	DWG SIZE: X	SCALE: 2:1 SHEET 2 OF 2