

This document is the property of Amphenol Corporation and is delivered on the express condition that it is not to be disclosed, reproduced or used, in whole or in part, for manufacture or sale by anyone other than Amphenol Corporation without its prior consent, & that no right is granted to disclose or to use any information in this document.

REVISIONS				
SYM	ECN	DESCRIPTION	DATE	APPROVED
B	HK	ADD CHOP OF ROHS	4/14/06	IP

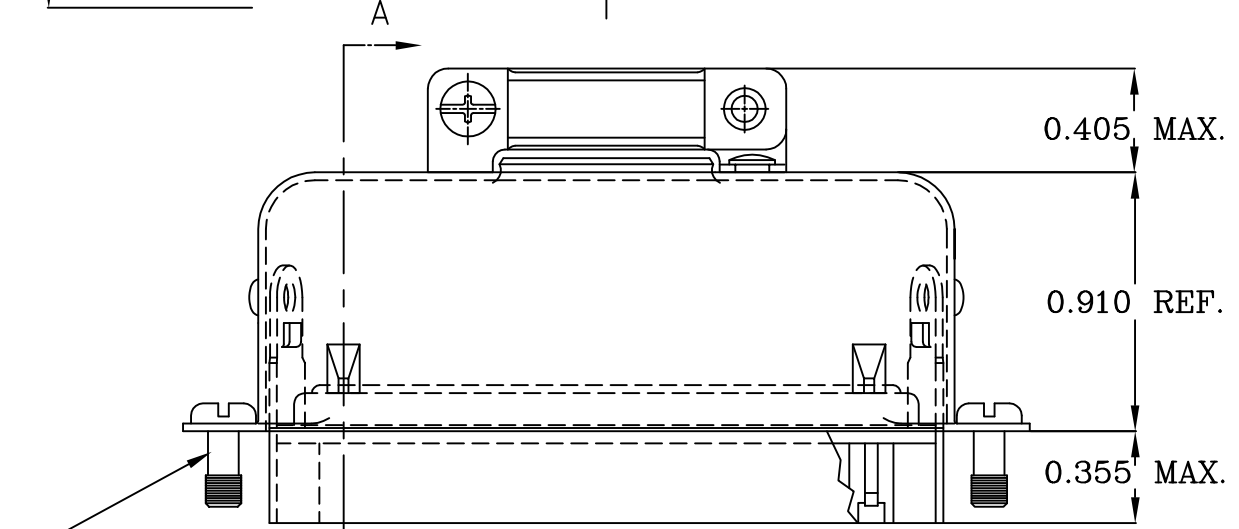
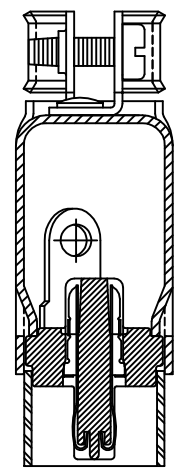
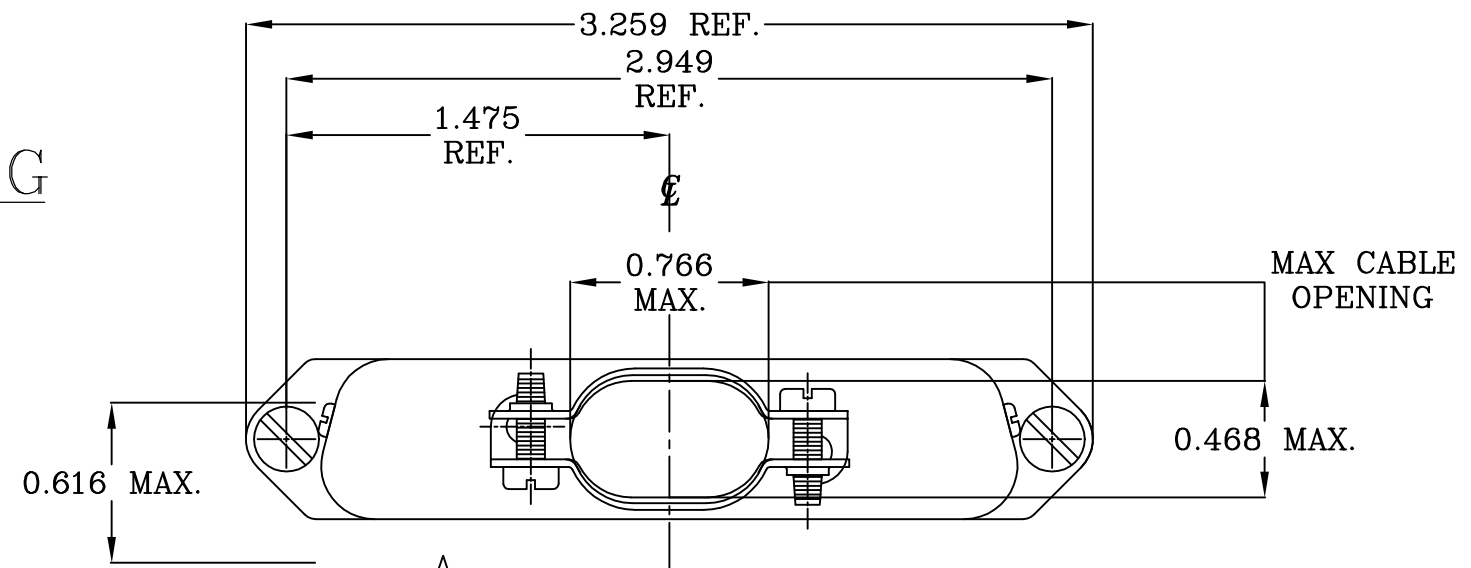
CUSTOMER INFORMATION DRAWING

TABLE 1

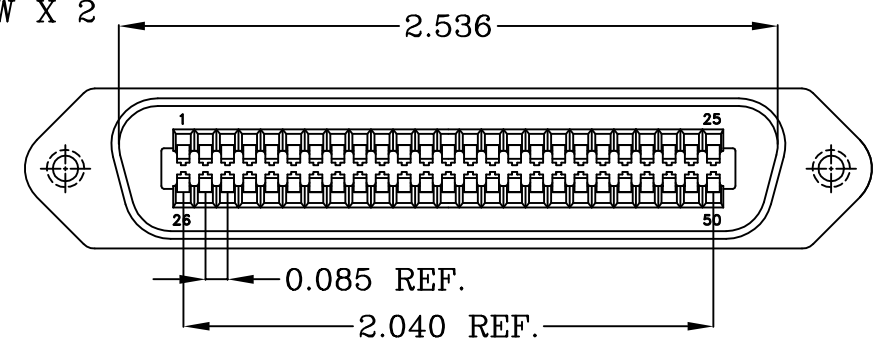
CONNECTOR SIZES	AVERAGE MATING FORCE (POUNDS)
14	5
24	8
36	12
50	15
64	19

SPECIFICATIONS:

- 1) SOLDER CUP CONTACT: TO ACCOMMODATE 22-30 AWG SOLID AND 24-30 STRANDED CONNECTOR WIRES.
- 2) DIELECTRIC: DIALYL-PHTHALATE PER MIL-M-14F TYPE MDG UL-94V0
- 3) CONTACT MATERIAL: COPPER ALLOY
- 4) CONTACT: 20 MICRO-INCHES MIN. GOLD MATING AREA: 3-5 MICRO-INCHES GOLD TERMINATION AREA: 50 MICRO-INCHES MIN. NICKEL UNDERPLATING ALL OVER
- 5) SHELL MATERIAL: ZINC PLATED STEEL WITH CLEAR CHROMATE COATING
- 6) CURRENT CAPACITY: 5 AMPS/CONTACT
- 7) VOLTAGE RATING: 700 VOLTS D.C. AT SEA LEVEL
200 VOLTS D.C. AT 70,000 FEET
- 8) INSULATION RESISTANCE: >5000 M OHM
- 9) DIELECTRIC WITHSTANDING VOLTAGE: 1200 VAC (RMS) AT SEA LEVEL
- 10) CONNECTOR MATING FORCE: REFER TO TABLE 1.
- 11) CONTACT RETENTION FORCE: 2 LBS MAX.
- 12) DURABILITY: 250 CYCLES MIN.
- 13) VIBRATION: NO INTERRUPTIONS < 1u SEC.
- 14) OPERATING TEMPERATURE: -55°C TO +105°C (-67°F TO +221°F)



SECTION A-A M3.5 CAPTATIVE SCREW X 2



UNLESS OTHERWISE SPECIFIED TOLERANCES U.S. METRIC .X +/- 0.020 .XX +/- 0.010 .XXX +/- 0.005 FRACTIONS +/- ANGLES +/- 1° FOR MATERIALS AND FINISHES SEE NOTES REMOVE SHARP EDGES DIMENSIONS U.S. INCHES (METRIC) (MM)	APPROVAL	DATE	Amphenol TITLE 50 CONTACT CABLE MOUNTED ASSEMBLY WITH M3.5 SCREWS SIZE DRAWING NO. REV. A3 C57-33500-1 B SCALE NONE SHEET 1 OF 1
	DRAWN XS.GUO	4/14/06	
	CHECKED		
	CHECKED		
	DRAWING FILE :		
	\DRAWING\57\C57335001.DWG		
	ANGLE OF PROJECTION		