

## EPC1197-X



- Unregulated DC/DC Converter
- Input/Output Isolation : 1000 Vrms
- Very High Efficiency : 80%-85% Typ.
- Operating Temperature : 0°C to +70°C
- UL1446 Class B Insulating System
- UL94V-0 Recognized Materials

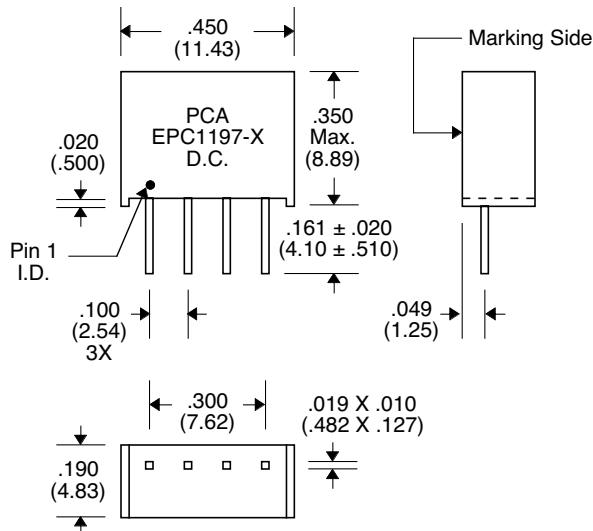
### Electrical Specifications

PCA Part Numbers	V In Volts (± 10%)	V Out Volts	I Out (mA Max.)	Ripple & Noise (mV p-p)		Input Ripple Current (mA p-p)		Efficiency (% Typ.) @ Full Load	Input/Output Isolation (Vrms)
				Typ.	Max.	Typ.	Max.		
EPC1197-1	5.0	5.0	100	18.0	25.0	8.5	15.0	80	1000
EPC1197-2	5.0	6.5	77	16.5	25.0	8.5	15.0	83	1000
EPC1197-3	5.0	9.0	56	16.0	25.0	8.0	15.0	85	1000
EPC1197-4	5.0	12.0	42	15.5	25.0	8.0	15.0	85	1000
EPC1197-5	5.0	15.0	34	12.0	25.0	9.5	15.0	84	1000
EPC1197-6	5.0	24.0	21	12.0	25.0	11.0	20.0	82	1000

#### Notes :

1. Voltage Accuracy : -3% Typ. @ Maximum Load
2. Input Filter : Capacitor
3. Line Voltage Regulation : 1%/ (Output Voltage Change Percentage/Input Voltage Change Percentage)
4. Load Voltage Regulation (10% to 100% Full Load) : +15% Max., -5% Max. for 5.0 V, 6.5 V, +12% Max., -5% Max. for 9.0 V, 12 V, 15 V, 24 V Out
5. Short Circuit Duration : 1 Second
6. Output Ripple Filtering : Simple 33 KHz L/C Filter can be added to reduce Output Ripple & Noise to 2 mV p-p
7. Minimum Load Requirement : 10%
8. Absolute Maximum Rating : V In = 7.0 Volt Max.
9. Input Current @ 0% Load : 2.5 mA Typ.
10. Load Voltage Regulation @ 0% Load : +25% Max. for 5.0 V, 6.5 V, 9.0 V, 12 V Out + 20% Max. for 15 V, 24 V Out

### Package



### Pin Connections



- Pin 1 : -V In
- Pin 2 : +V In
- Pin 3 : -V Out
- Pin 4 : +V Out

Unless Otherwise Specified Dimensions are in Inches /mm ± .010 / .25