

## EPC1193G-X



- Unregulated DC/DC Converter
- Input/Output Isolation : 1500 Vrms
- Very High Efficiency : 80%-85% Typ.
- Operating Temperature : 0°C to +70°C
- UL1446 Class B Insulating System
- UL94V-0 Recognized Materials

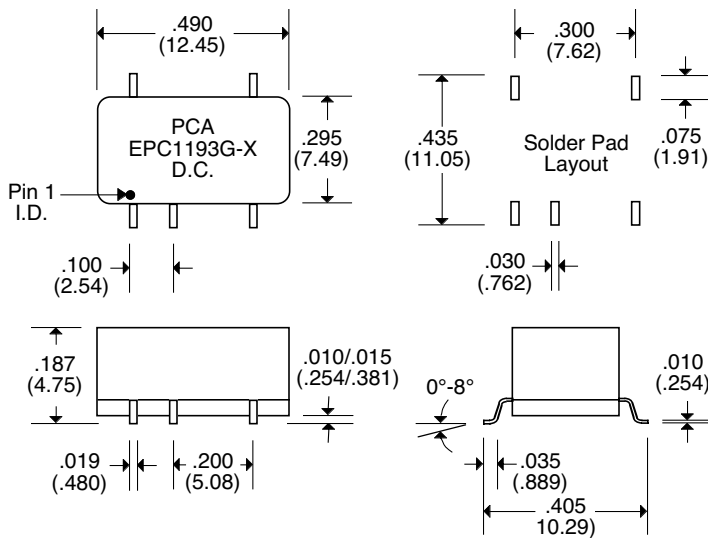
### Electrical Specifications

| PCA Part Numbers | V In Volts (± 10%) | V Out Volts | I Out (mA Max.) | Ripple & Noise (mV p-p) |      | Input Ripple Current (mA p-p) |      | Efficiency (% Typ.) @ Full Load | Input/Output Isolation (Vrms) |
|------------------|--------------------|-------------|-----------------|-------------------------|------|-------------------------------|------|---------------------------------|-------------------------------|
|                  |                    |             |                 | Typ.                    | Max. | Typ.                          | Max. |                                 |                               |
| EPC1193G-1       | 5.0                | 5.0         | 100             | 18.0                    | 25.0 | 8.5                           | 15.0 | 80                              | 1500                          |
| EPC1193G-2       | 5.0                | 6.5         | 77              | 16.5                    | 25.0 | 8.5                           | 15.0 | 83                              | 1500                          |
| EPC1193G-3       | 5.0                | 9.0         | 56              | 16.0                    | 25.0 | 8.0                           | 15.0 | 85                              | 1500                          |
| EPC1193G-4       | 5.0                | 12.0        | 42              | 15.5                    | 25.0 | 8.0                           | 15.0 | 85                              | 1500                          |
| EPC1193G-5       | 5.0                | 15.0        | 34              | 12.0                    | 25.0 | 9.5                           | 15.0 | 84                              | 1500                          |
| EPC1193G-6       | 5.0                | 24.0        | 21              | 12.0                    | 25.0 | 11.0                          | 20.0 | 82                              | 1500                          |

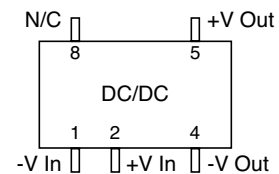
#### Notes :

1. Voltage Accuracy : -3% Typ. @ Maximum Load
2. Input Filter : Capacitor
3. Line Voltage Regulation : 1%/ (Output Voltage Change Percentage/Input Voltage Change Percentage)
4. Load Voltage Regulation (10% to 100% Full Load) : +15% Max., -5% Max. for 5.0 V, 6.5 V, +12% Max., -5% Max. for 9.0 V, 12 V, 15 V, 24 V Out
5. Short Circuit Duration : 1 Second
6. Output Ripple Filtering : Simple 33 KHz L/C Filter can be added to reduce Output Ripple & Noise to 2 mV p-p
7. Minimum Load Requirement : 10%
8. Absolute Maximum Rating : V In = 7.0 Volt Max.
9. Input Current @ 0% Load : 2.5 mA Typ.
10. Load Voltage Regulation @ 0% Load : +25% Max. for 5.0 V, 6.5 V, 9.0 V, 12 V Out + 20% Max. for 15 V, 24 V Out

### Package



### Pin Connections



Unless Otherwise Specified Dimensions are in Inches /mm ± .010 / .25