

Ethernet DC/DC Converter

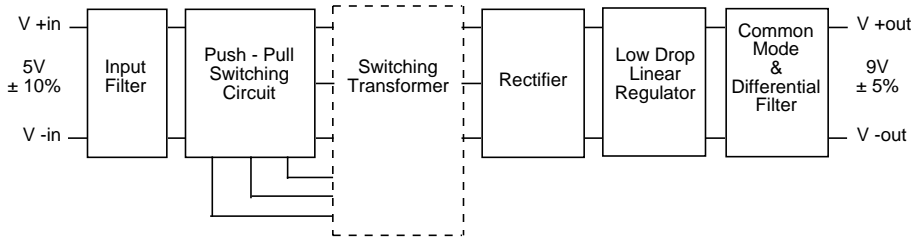
EPC1110HN2

- Designed for Low Common Mode Noise •
 - Regulated with Enable Low •
 - 65% Efficiency at Full Load •
- Input Filter to Reduce Input Ripple Current •
 - Input/Output Isolation : 2000 Vrms •

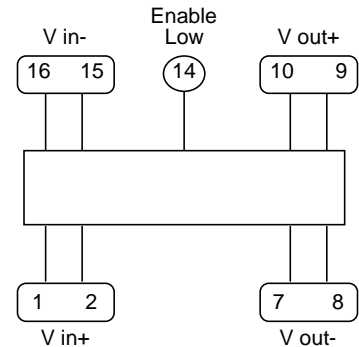
Electrical Specifications

| Parameters | Min. | Typ. | Max. | Units |
|-----------------------------------|------|---------|------|--------|
| Input Voltage | 4.5 | 5.0 | 5.5 | Volts |
| Output Voltage | --- | -9 ± 5% | --- | Volts |
| Output Current | --- | --- | 120 | mA |
| Output Ripple & Noise @ 20 MHz BW | --- | --- | 50 | mV p-p |
| --- | --- | --- | --- | --- |

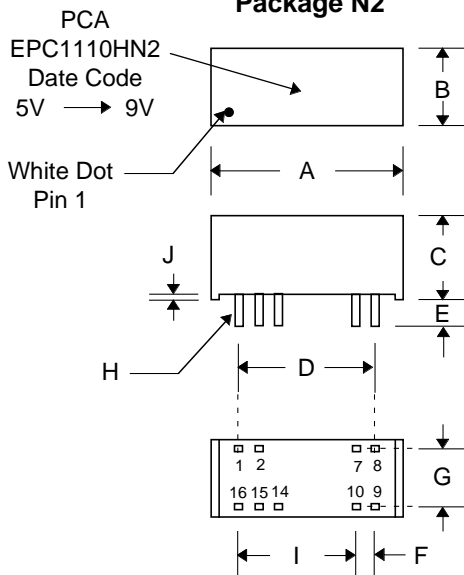
Block Diagram



Pin Connections



Package N2



Dimensions

| Dim. | (Inches) | | | (millimeters) | | |
|------|----------|------|------|---------------|-------|-------|
| | Min. | Max. | Nom. | Min. | Max. | Nom. |
| A | .980 | 1.00 | .990 | 24.89 | 25.40 | 25.15 |
| B | .390 | .410 | .400 | 9.91 | 10.41 | 10.16 |
| C | --- | .450 | --- | --- | 11.43 | --- |
| D | --- | --- | .700 | --- | --- | 17.78 |
| E | --- | --- | .120 | --- | --- | 3.05 |
| F | --- | --- | .100 | --- | --- | 2.54 |
| G | --- | --- | .300 | --- | --- | 7.62 |
| H | --- | --- | .025 | --- | --- | .635 |
| I | --- | --- | .600 | --- | --- | 15.24 |
| J | --- | --- | .015 | --- | --- | .381 |