

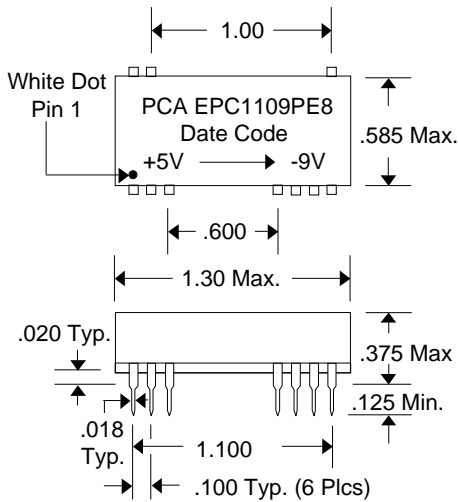
# Ethernet DC/DC Converter EPC1109P & EPC1109H

- Features**
- 70 % Typical efficiency at full load @ nominal input voltage
  - Regulated Output
  - Enable Low
  - Input / Output Isolation
  - Input filter to reduce input ripple current
  - Designed for low common mode noise

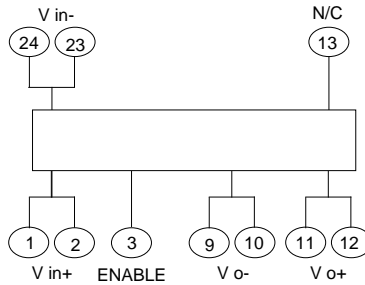
## Electrical Specifications

PCA P/N	Standard Package	Optional Packages	Input Voltage V	Output Voltage V	Output Current mA Max.	Output Ripple & Noise @ 20 MHz BW mV p-p	Isolation Vrms
EPC1109P	E6	E8, E6-G*	5.0 ± 10%	-9.0 ± 5%	100 Max.	150 Max.	500
EPC1109H	E6	E8, E7, E6-G* E7-G*	5.0 ± 10%	-9.0 ± 5%	100 Max.	150 Max.	2000

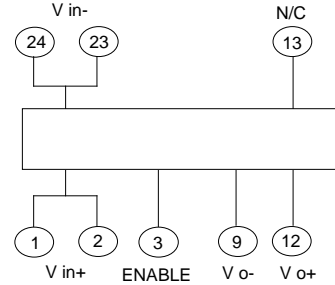
### PACKAGE E8



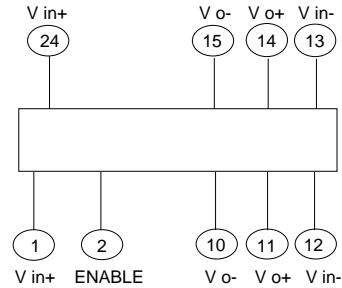
### Pin Connections for E8



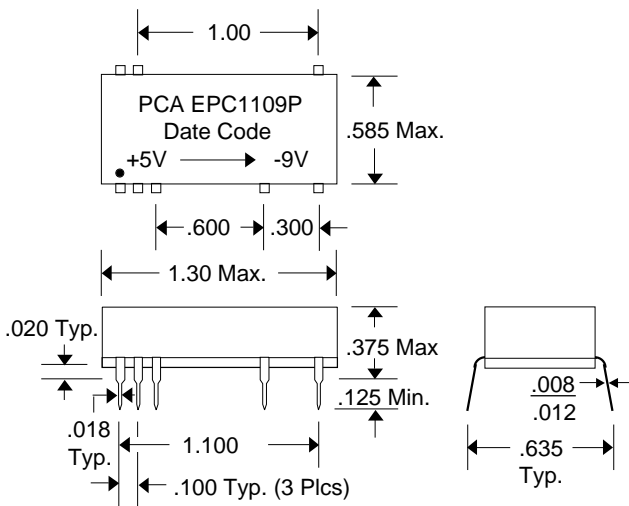
### Pin Connections for E6



### Pin Connections for E7



### PACKAGE E6



### PACKAGE E7

