

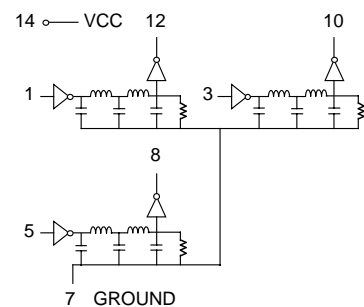
14 Pin DIP Triple TTL High Speed Delay Line

DELAY TIME ±5% or 2nS†	PART NUMBER	DELAY TIME ±5% or 2nS†	PART NUMBER	DELAY TIME ±5% or 2nS†	PART NUMBER
5	EPA313-5	19	EPA313-19	65	EPA313-65
6	EPA313-6	20	EPA313-20	70	EPA313-70
7	EPA313-7	21	EPA313-21	75	EPA313-75
8	EPA313-8	22	EPA313-22	80	EPA313-80
9	EPA313-9	23	EPA313-23	85	EPA313-85
10	EPA313-10	24	EPA313-24	90	EPA313-90
11	EPA313-11	25	EPA313-25	95	EPA313-95
12	EPA313-12	30	EPA313-30	100	EPA313-100
13	EPA313-13	35	EPA313-35	125	EPA313-125
14	EPA313-14	40	EPA313-40	150	EPA313-150
15	EPA313-15	45	EPA313-45	175	EPA313-175
16	EPA313-16	50	EPA313-50	200	EPA313-200
17	EPA313-17	55	EPA313-55	225	EPA313-225
18	EPA313-18	60	EPA313-60	250	EPA313-250

† Whichever is greater. Delay Times referenced from input to leading edges at 25°C, 5.0V, with no load.

DC Electrical Characteristics		Test Conditions	Min	Max	Unit
V _{OH}	High-Level Output Voltage	V _{CC} = min. V _{IL} = max. I _{OH} = max	2.7		V
V _{OL}	Low-Level Output Voltage	V _{CC} = min. V _{IH} = min. I _{OL} = max		0.5	V
V _{IK}	Input Clamp Voltage	V _{CC} = min. I _I = I _{IK}		-1.2V	V
I _{IH}	High-Level Input Current	V _{CC} = max. V _{IN} = 2.7V		50	µA
		V _{CC} = max. V _{IN} = 5.25V		1.0	mA
I _{IL}	Low-Level Input Current	V _{CC} = max. V _{IN} = 0.5V		-2	mA
I _{OS}	Short Circuit Output Current	V _{CC} = max. V _{OUT} = 0.	-40	-100	mA
		(One output at a time)			
I _{CC} H	High-Level Supply Current	V _{CC} = max. V _{IN} = OPEN		115	mA
I _{CC} L	Low-Level Supply Current	V _{CC} = max. V _{IN} = 0		115	mA
T _{RO}	Output Rise Time	T _d ≤ 500 nS (0.75 to 2.4 Volts)		4	nS
N _H	Fanout High-Level Output	V _{CC} = max. V _{OH} = 2.7V		20 TTL LOAD	
N _L	Fanout Low-Level Output	V _{CC} = max. V _{OL} = 0.5V		10 TTL LOAD	

Schematic



Recommended Operating Conditions		Min	Max	Unit
V _{CC}	Supply Voltage	4.75	5.25	V
V _{IH}	High-Level Input Voltage	2.0		V
V _{IL}	Low-Level Input Voltage		0.8	V
I _{IK}	Input Clamp Current		-18	mA
I _{OH}	High-Level Output Current		-1.0	mA
I _{OL}	Low-Level Output Current		20	mA
PW*	Pulse Width of Total Delay	40		%
d*	Duty Cycle		40	%
T _A	Operating Free-Air Temperature	0	+70	°C

*These two values are inter-dependent.

Input Pulse Test Conditions @ 25° C		Unit
E _{IN}	Pulse Input Voltage	3.2 Volts
PW	Pulse Width % of Total Delay	110 %
T _{RI}	Pulse Rise Time (0.75 - 2.4 Volts)	2.0 nS
PRR	Pulse Repetition Rate @ T _d ≤ 200 nS	1.0 MHz
	Pulse Repetition Rate @ T _d > 200 nS	100 KHz
V _{CC}	Supply Voltage	5.0 Volts

Package Dimensions

