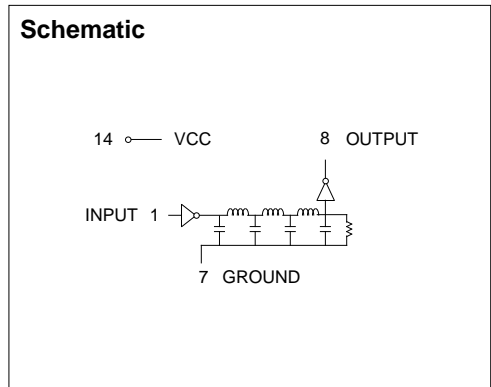


14 Pin DIP Single Output TTL Compatible Active Delay Lines

TIME DELAYS (nS) ±5% or ±2 nS†	PART NUMBER	TIME DELAYS (nS) ±5% or ±2 nS†	PART NUMBER	TIME DELAYS (nS) ±5% or ±2 nS†	PART NUMBER
5	EP9430-5	23	EP9430-23	125	EP9430-125
6	EP9430-6	24	EP9430-24	150	EP9430-150
7	EP9430-7	25	EP9430-25	175	EP9430-175
8	EP9430-8	30	EP9430-30	200	EP9430-200
9	EP9430-9	35	EP9430-35	225	EP9430-225
10	EP9430-10	40	EP9430-40	250	EP9430-250
11	EP9430-11	45	EP9430-45	275	EP9430-275
12	EP9430-12	50	EP9430-50	300	EP9430-300
13	EP9430-13	55	EP9430-55	350	EP9430-350
14	EP9430-14	60	EP9430-60	400	EP9430-400
15	EP9430-15	65	EP9430-65	500	EP9430-500
16	EP9430-16	70	EP9430-70	600	EP9430-600
17	EP9430-17	75	EP9430-75	700	EP9430-700
18	EP9430-18	80	EP9430-80	800	EP9430-800
19	EP9430-19	85	EP9430-85	900	EP9430-900
20	EP9430-20	90	EP9430-90	1000	EP9430-1000
21	EP9430-21	95	EP9430-95		
22	EP9430-22	100	EP9430-100		

† Whichever is greater. Delay Times referenced from input to leading edges at 25°C, 5.0V, with no load.

DC Electrical Characteristics					
Parameter	Test Conditions	Min	Max	Unit	
V _{OH}	High-Level Output Voltage	V _{CC} = min. V _{IL} = max. I _{OH} = max	2.7		V
V _{OL}	Low-Level Output Voltage	V _{CC} = min. V _{IH} = min. I _{OL} = max		0.5	V
V _{IK}	Input Clamp Voltage	V _{CC} = min. I _I = I _{IK}		-1.2	V
I _{IH}	High-Level Input Current	V _{CC} = max. V _{IN} = 2.7V		50	µA
		V _{CC} = max. V _{IN} = 5.25V		1.0	mA
I _{IL}	Low-Level Input Current	V _{CC} = max. V _{IN} = 0.5V		-2	mA
I _{OS}	Short Circuit Output Current	V _{CC} = max. V _{OUT} = 0.	-40	-100	mA
I _{CCH}	High-Level Supply Current	V _{CC} = max. V _{IN} = OPEN		75	mA
I _{CCL}	Low-Level Supply Current	V _{CC} = max. V _{IN} = 0		75	mA
T _{RO}	Output Rise Time	T _d ≤ 500 nS (0.75 to 2.4 Volts)		4	nS
N _H	Fanout High-Level Output	V _{CC} = max. V _{OH} = 2.7V		20 TTL LOAD	
N _L	Fanout Low-Level Output	V _{CC} = max. V _{OL} = 0.5V		10 TTL LOAD	



Recommended Operating Conditions				
		Min	Max	Unit
V _{CC}	Supply Voltage	4.75	5.25	V
V _{IH}	High-Level Input Voltage	2.0		V
V _{IL}	Low-Level Input Voltage		0.8	V
I _{IK}	Input Clamp Current		-18	mA
I _{OH}	High-Level Output Current		-1.0	mA
I _{OL}	Low-Level Output Current		20	mA
PW*	Pulse Width of Total Delay	40		%
d*	Duty Cycle		40	%
T _A	Operating Free-Air Temperature	0	+70	°C

*These two values are inter-dependent.

Input Pulse Test Conditions @ 25° C				Unit
E _{IN}	Pulse Input Voltage		3.2	Volts
PW	Pulse Width % of Total Delay		110	%
T _{RI}	Pulse Rise Time (0.75 - 2.4 Volts)		2.0	nS
PRR	Pulse Repetition Rate @ T _d ≤ 200 nS		1.0	MHz
	Pulse Repetition Rate @ T _d > 200 nS		100	KHz
V _{CC}	Supply Voltage		5.0	Volts

