

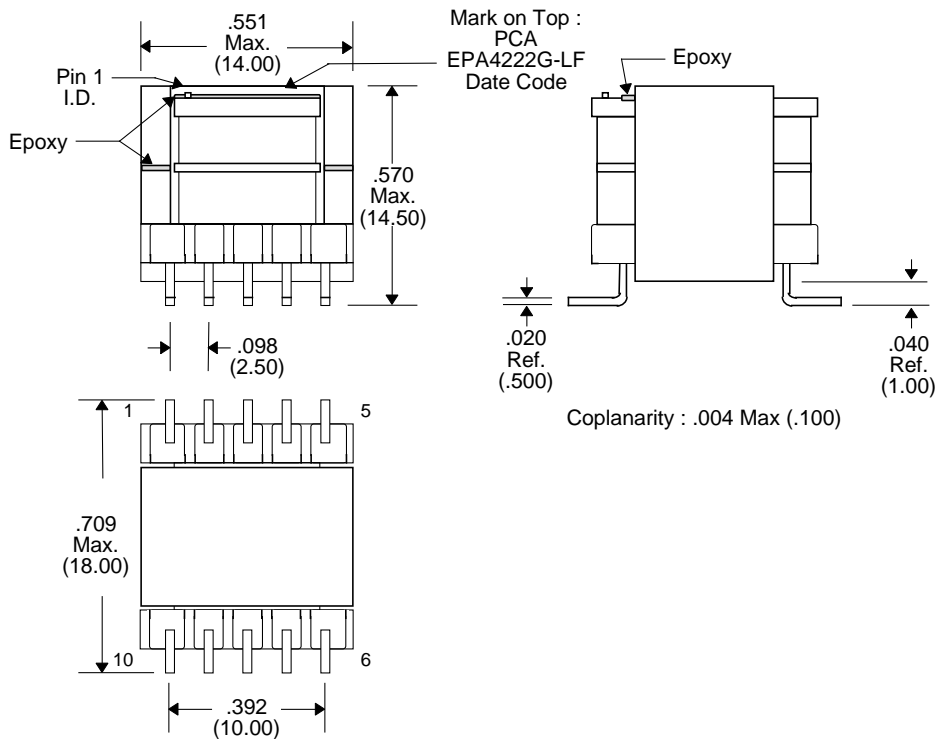
EPA4222G-LF

- UL 94V-0 Recognized Components
- UL 1446 Class F Insulation System
- Operating Temperature : -40°C to +85°C
- Storage Temperature : -40°C to +125°C
- Lead Free

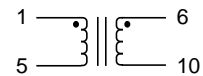
Electrical Parameters @ 25° C

Inductance (mH ± 6%)		Turns Ratio (± 8%)	Hipot		DCR (Ω Max.)	
@ 10 KHz, 0.1 Vrms		@ 10 Hz, 0.1 Vrms	@ 50 Hz, 2 seconds		Pri.	Sec.
6.0 (I _{dc} = 100 mA)	6.1	1:1	1800 Vac	500 Vrms	4.35	4.35
Pins 1-5	Pins 6-10	Pins 1-5:6-10	Pri. to Sec.	Wdgs. to Core	Pins 1-5	Pins 6-10

Package



Schematic



Notes :	EPA4222G-LF
1. Lead Finish	Hot Dip Sn or (SnCu)
2. Peak Solder Rating	245°C
3. Moisture Sensitive Levels	MSL = 1
4. Weight	7.3 grams
5. Packaging Information (Tape & Reel)	150 pieces/reel

Unless Otherwise Specified Dimensions are in Inches /mm ± .010 / .25