

Forward Transformer

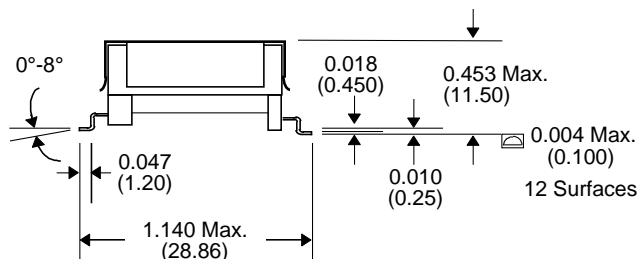
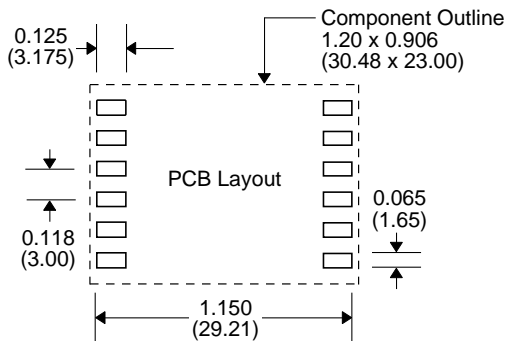
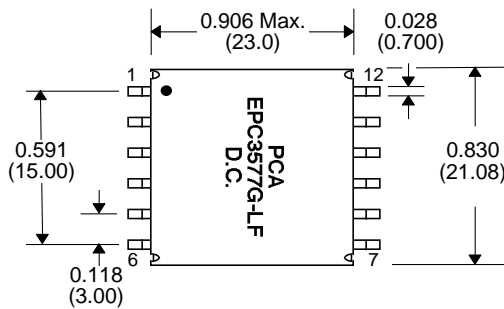
EPC3577G-LF

- 90 WPoE Synchronous Forward Transformer
- Designed to work with LTC3725
- Lead free
- Class B Insulation System
- Switching Frequency: 200 KHz
- Duty Cycle: 65% Max.
- Switching Ipeak: 7A
- Operating Temperature: -40°C to +125°C
- Storage Temperature: -40°C to +125°C

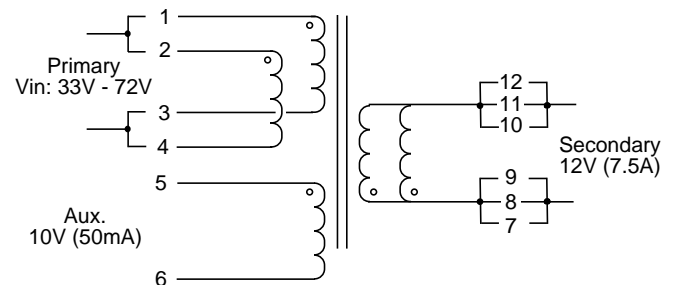
Electrical Parameters @ 25°C

Inductance ($\mu\text{H} \pm 10\%$)	Leakage Inductance (μH Max.)	Interwinding Capacitance (pF Max.)	DCR (m Ω Max.)			Turns Ratio	Hipot (Vrms)	
@100 KHz, 1.0Vrms	@100 KHz, 0.1Vrms	@100 KHz, 0.1Vrms					60Hz, 5 secs	
180	0.45	180	20	200	10	1.375:0.875:1	1500	1500
Pins 1,2 - 3,4	Pins 1, 2 - 3, 4 with Aux. & Sec. shorted	Pri. - Aux. & Sec	Pins 1,2 - 3,4	Pins 5-6	Pins 7, 8,9 -10, 11,12	Pri.: Aux.: Sec	Wdgs. to Core	Pri. & Aux. to Sec.

Package



Schematic



Notes	EPC3577G-LF
1. Lead Finish	Pb-Free
2. Peak Solder Rating	260°C
3. Weight	14.6 grams
4. Packaging Information (Tray)	TBD

Unless Otherwise Specified Dimensions are in Inches /mm ± .010 / .25