

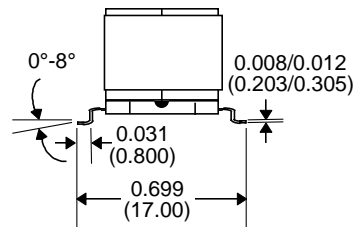
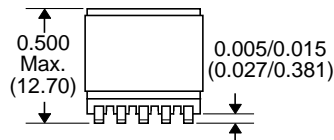
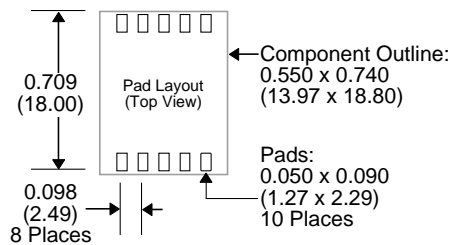
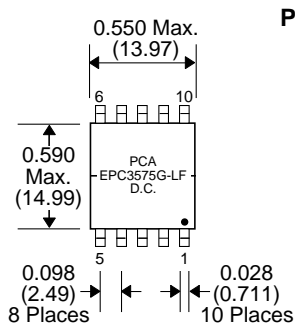
Flyback Transformer

EPC3575G-LF

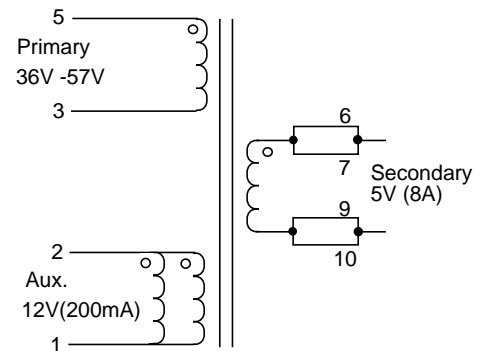
- 40 W PoE Synchronous Flyback Transformer
- Designed to Work with LT4269-1
- Small size and Cost Effective
- Lead free
- Operating Temperature: -40°C to +125°C
- Storage Temperature: -40°C to +125°C

Electrical Parameters @ 25°C

Primary Inductance ($\mu\text{H} \pm 5\%$)	Leakage Inductance (μH Max.)	Interwinding Capacitance (pF Max.)	DCR (m Ω Max.)			Turns Ratio	Hipot (Vrms)	
@100 KHz, 1.0Vrms	@100 KHz, 0.1Vrms	@100 KHz, 0.1Vrms					60Hz; 5secs	
35	0.7	90	85	100	0.160	7.33:2.33:1	1500	1500
Pins 3-5	Pins 3 -5 with sec. & Aux. shorted	Pri. - Sec	Pins 3-5	Pins 1-2	Pins 6,7-9,10	Pri.:Aux.: Sec.	Wdg's-core	Pri. - Sec.



Schematic



Notes	EPC3575G-LF
1. Lead Finish	Pb-Free
2. Peak Solder Rating	260°C
3. Weight	TBD grams
4. Packaging Information (Tray)	TBD

Unless Otherwise Specified Dimensions are in Inches /mm ± .010 /.25