



# High Voltage Trigger Transformer

## EPC3215G-X & EPC3215G-X-LF

## EPC3215G-XX & EPC3215G-XX-LF

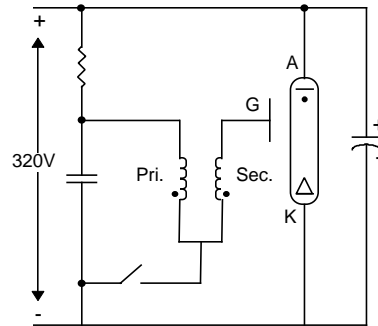
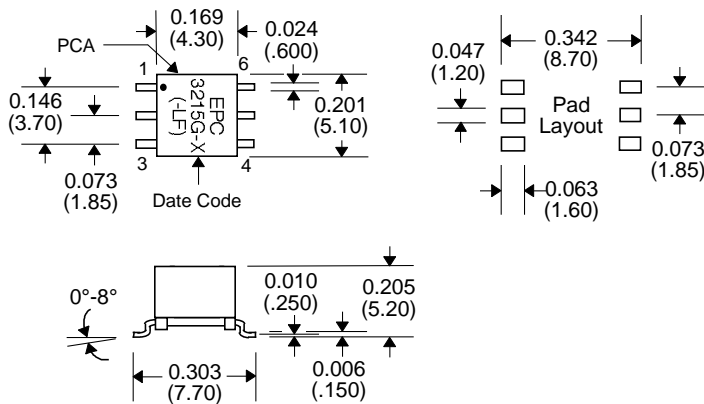
- Used as Trigger Transformer in Photoflash Circuits
- Operating Temperature : -40°C to +85°C
- UL 94V-0 Recognized Components
- UL 1446 Class B Insulation System



### Electrical Parameters @ 25° C

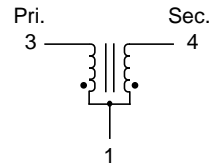
PCA Part Number	Voltage (Vdc) V in	Peak Trigger Voltage (V Min.)	Primary OCL @ 0A <sub>dc</sub> (μH Typ.) @ 100 KHz, 0.1 V <sub>rms</sub>	DCR (Ω Typ.)		Package/ Schematic
				Pri.	Sec.	
EPC3215G-1 (-LF)	320	4000	1.2	0.86	140	A/1
EPC3215G-2 (-LF)	320	4000	1.2	0.86	140	A/2
EPC3215G-3A (-LF)	320	3000	1.4	0.70	110	B/3

### Package A

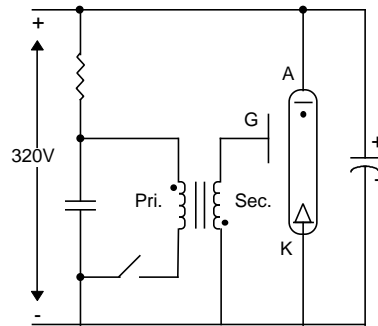
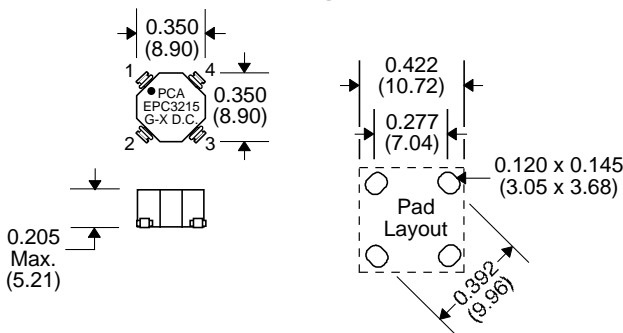


• DANGER HIGH VOLTAGE •  
Operation By High Voltage  
Trained Personnel Only

### Schematic 1

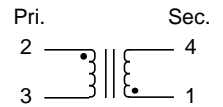


### Package B

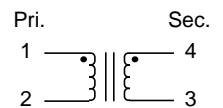


• DANGER HIGH VOLTAGE •  
Operation By High Voltage  
Trained Personnel Only

### Schematic 2



### Schematic 3



Notes :	EPC3215G-X & EPC3215G-XX	EPC3215G-X-LF & EPC3215G-XX-LF
1. Assembly Process (Solder Composition)	Hot Dipped SnPb	Hot Dipped Sn or SnCu
2. Peak Solder Rating (per IPC/JEDEC-J-STD-020C)	225°C	260°C
3. Moisture Sensitive Levels (MSL) (per IPC/JEDEC-J-STD-020C)	1 (Unlimited, ≤30°C/60%RH)	1 (Unlimited, ≤30°C/60%RH)
4. Packaging Information (Tube)	TBD pcs / tube	TBD pcs / tube

Unless Otherwise Specified Dimensions are in Inches /mm ± .010 / .25