

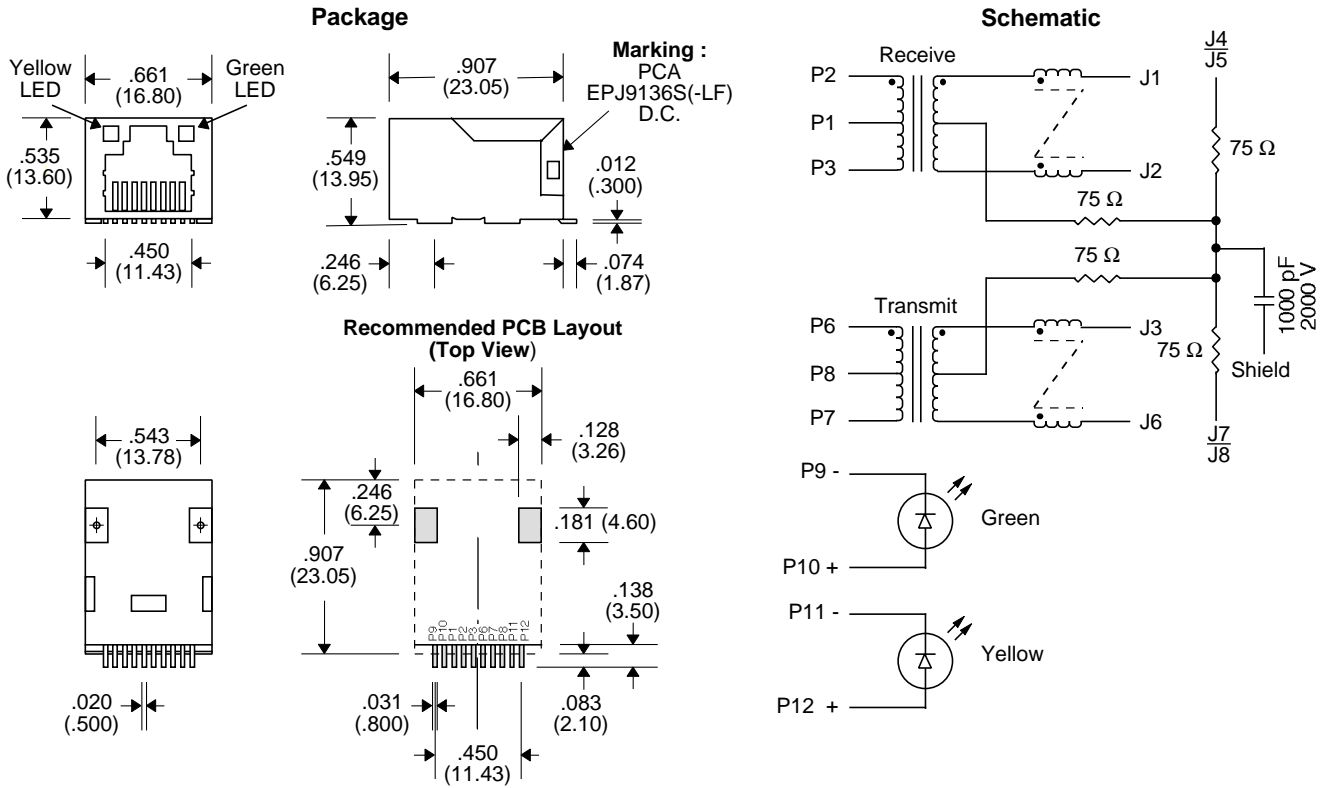
SMD RJ-45 Filter Port Jacks with 10/100Base-TX

EPJ9136S & EPJ9136S-LF

- Surface Mount Package
- Space Saving RJ-45 Connectors
- Complete Bob Smith Termination Included
- UL94V-0 Rated High Temp. Thermoplastic Housing
- Add "-LF" after part number for Lead-Free
- 1500 Vrms Isolation

Electrical Parameters @ 25° C

Turns Ratio (± 5%)	OCL (µH Min.)	Insertion Loss (dB Max.)	Return Loss (dB Min.)			CMRR (dB Min.)	CMD (dB Min.)	Crosstalk (dB Typ.)			
			1-10 MHz	30-60 MHz	60-80 MHz			@ 5 MHz	@ 30 MHz	@ 60 MHz	@ 100 MHz
	@ 100 KHz, 100m Vrms	1-100 MHz									
Xmit/Rcv	8 mA DC Bias										
1:1/1:1	350	-1.0	-18	-18	-12	-30	-40	-70	-45	-40	-35



Notes :	EPJ9136S	EPJ9136S-LF
1. Lead Finish	SnPb	Semi Matte Tin
2. Peak Solder Rating	225°C	260°C
3. Moisture Sensitive Levels (MSL)	1 (Unlimited, ≤30°C/60%RH)	1 (Unlimited, ≤30°C/60%RH)
4. Weight	TBD grams	TBD grams
5. Packaging Information	(Tube) TBD pcs / tube	TBD pcs / tube

Unless Otherwise Specified Dimensions are in Inches /mm ± .010 / .25