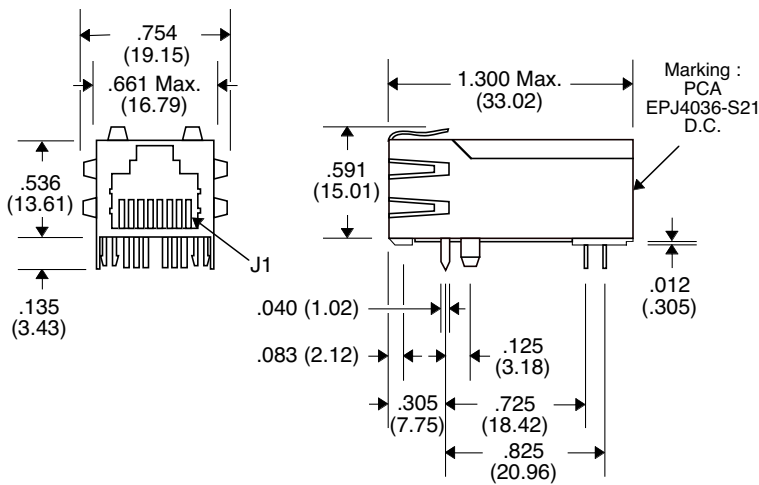


- Space Saving RJ-45 Connector
- Pins : 0.018 Tin-Coated Copper Wire
- Operating Temperature : 0°C to +70°C
- Thermo Plastic PBT UL94V-0 Rated Connector Housing
- Metal Shield : Nickel Plated Copper Alloy
- 1500 Vrms Isolation

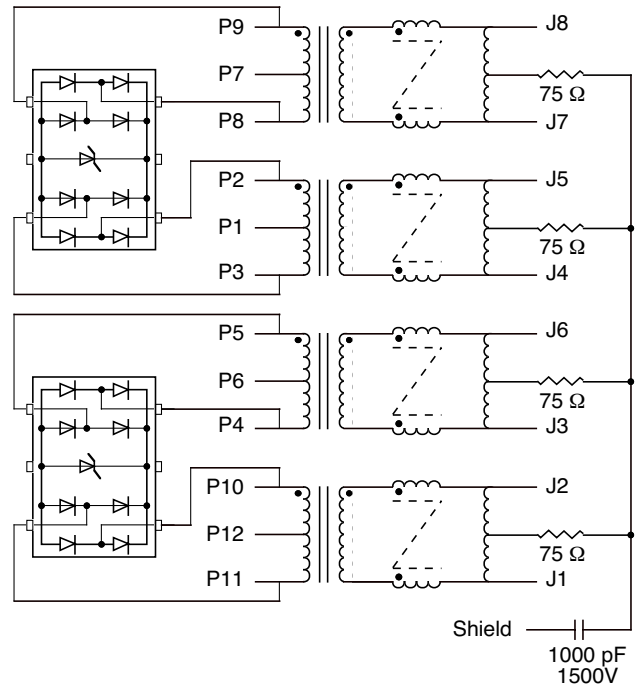
Electrical Parameters @ 25° C

Turns Ratio (± 2%)	OCL (μH Min.) 8 mA DC Bias	Leakage Inductance (μH Max.)	Interwinding Capacitance (pF Max.)	Insertion Loss (dB Typ.)	Return Loss (dB Min.)				CMRR (dB Typ.)	DCR (Ω Max.)	Crosstalk (dB Min.)
					1-30 MHz	30-60 MHz	60-80 MHz	80-100 MHz			
1:1	@ 100 KHz, 0.1 Vrms	@ 1 MHz	@ 1 MHz	100 KHz- 125 MHz	-19	-13	-12	-10	-35	1.2	-30

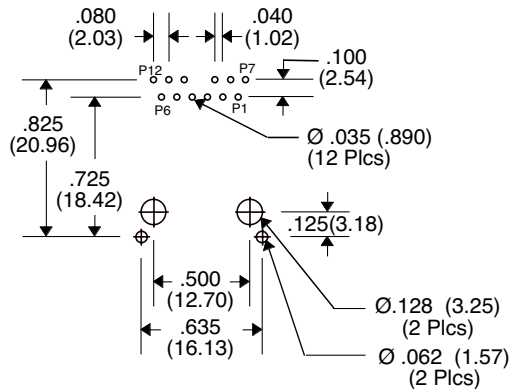
Package



Schematic



Recommended PCB Layout (Component View)



Unless Otherwise Specified Dimensions are in Inches /mm ±.010 / .25