

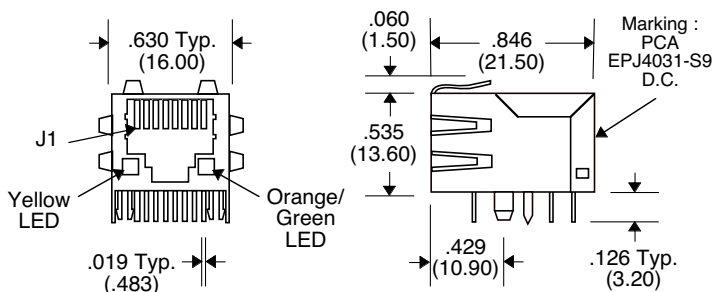
- Designed for Gigabit Ethernet and 10/100Base-TX Transceiver ICs
- Complies with IEEE 802.3ab Standards and Gigabit Ethernet Specifications
- Thermo Plastic PBT UL94V-0 Rated Connector Housing
- Complete Bob Smith Termination Included
- Metal Shield : Nickel Plated Copper Alloy
- Operating Temperature : 0°C to +70°C
- Space Saving RJ-45 Connector

Electrical Parameters @ 25° C

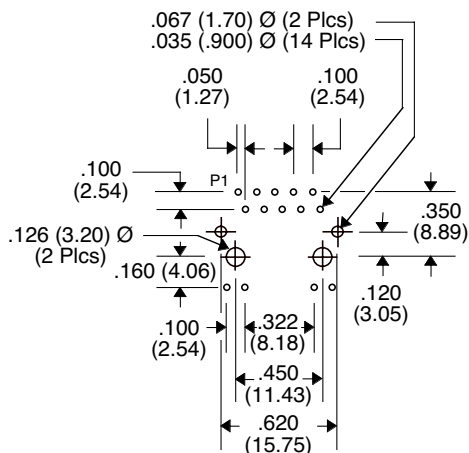
Turns Ratio	OCL* (uH Min.)	DCR (Ω Max.)	Insertion Loss (dB Max.)		Return Loss (dB Min.)		CMRR (dB Min.)	CDMR (dB Min.)	Crosstalk (dB Min.)
Xmit/Rcv	100 KHz/0.1V	---	1-100 MHz	100-125 MHz	0.3-40 MHz	@ 100 MHz	0.3-100 MHz	0.3-100 MHz	1-100 MHz
1:1/1:1	350	0.9	-1.0	-1.2	-18	-12	-35	-30	-33

• *OCL : @ 8 mA DC Bias • Isolation : 1500 Vrms •

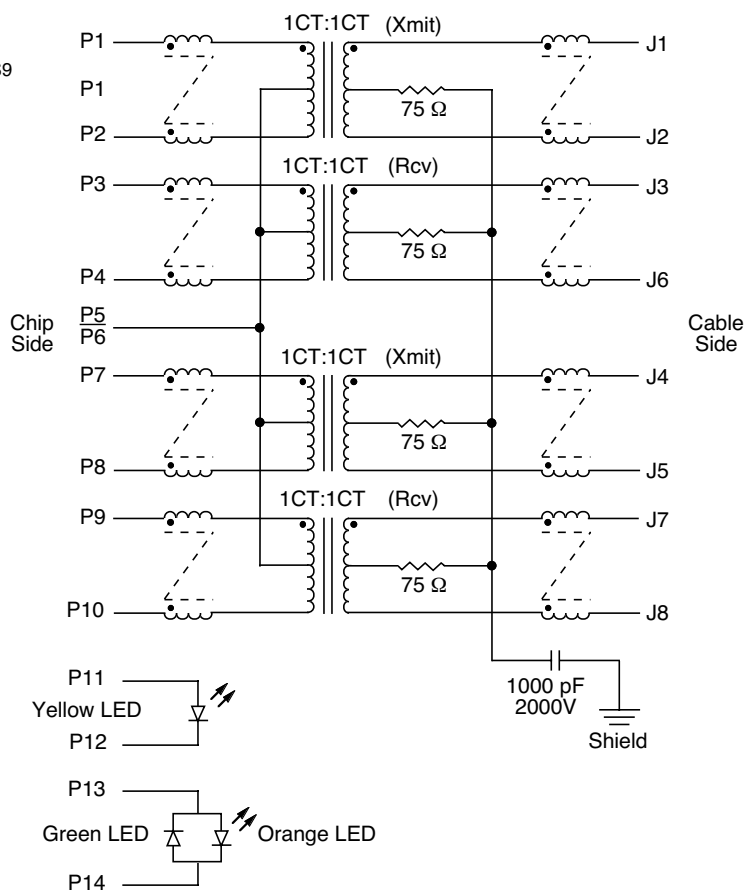
Package



Recommended PCB Layout (Component Side)



Schematic



Unless Otherwise Specified Dimensions are in Inches /mm ±.010 /.25