

# Dual USB / Gigabit Filter Port Jacks

## EPJ4021



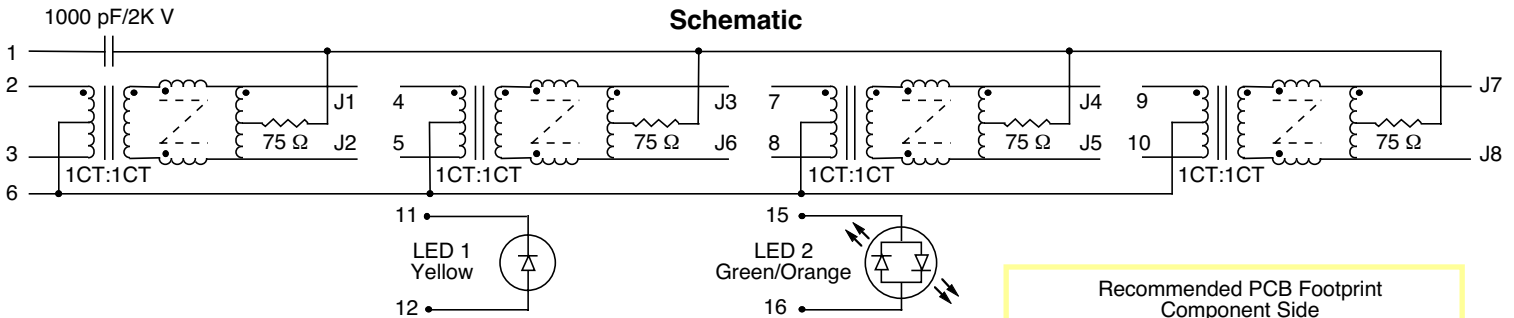
- Space saving RJ-45/USB Connectors •
- Thermo Plastic PBT UL94V-0 Rated Connector Housing •
- Metal Shield : Nickel Plated Copper Alloy •
- Pins : 0.018 Tin-Coated Copper Wire •

### Electrical Parameters @ 25° C

OCL ( $\mu$ H Min.)	Insertion Loss (dB Max.)			Return Loss (dB Min.)			CMRR (dB Min.)	CMDR (dB Min.)				Crosstalk (dB Min.)				
	@ 100 KHz, 0.1 Vrms	1-65 MHz	65-100 MHz	100-125 MHz	1-40 MHz	60 MHz		80 MHz	100 MHz	1-80 MHz	1 MHz	30 MHz	50 MHz	100 MHz	1-40 MHz	60 MHz
8 mA DC Bias																
350	-1	-1.1	-1.5	-18	-15	-12	-10	-30	-60	-40	-35	-30	-40	-35	-30	

• LEDs : Vf=2.1V Typ. @ 20 mA • Isolation : 1500 Vrms • Operating Temperature : 0°C to +70°C •

### Schematic



### Recommended PCB Footprint Component Side

### Package

#### Pin Assignment

