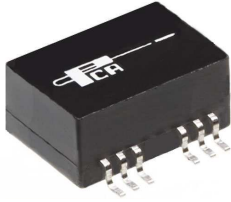


Miniature 10Base-T Interface Module with Enhanced Common Mode Attenuation EPE6313SE



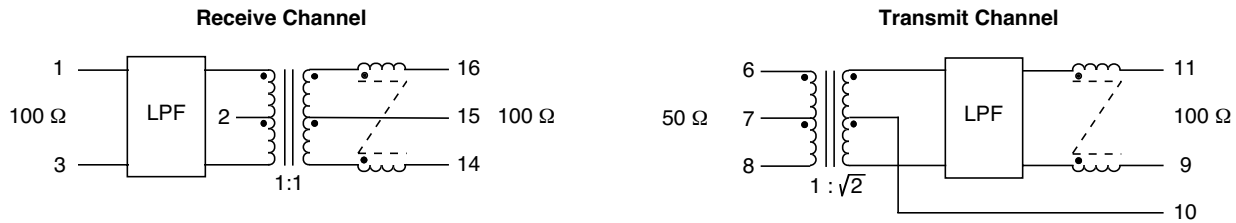
- Designed for use with Level One's LXT901 Chip
- Robust design allows to withstand current soldering profiles
- Complies with or exceeds IEEE 802.3, 10Base-T Standards
- Operating Temperature : -40°C to +85°C

Electrical Parameters @ 25° C

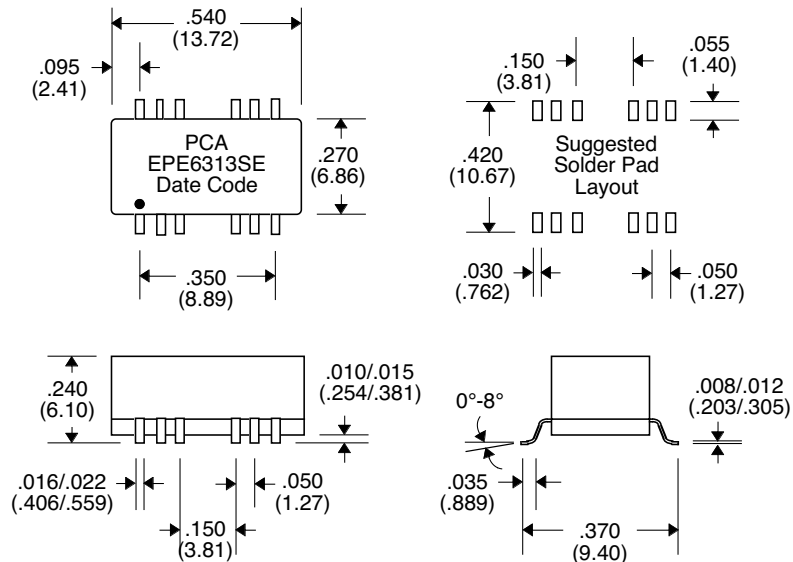
Cut-Off Frequency (MHz)	Insertion Loss † (dB Max.)	Return Loss (dB Min.)	Attenuation (dB Min.)				Common Mode Rejection (dB Min.)	Crosstalk (dB Min.)
			@ 20 MHz	@ 25 MHz	@ 30 MHz	@ 40 MHz		
± 1.0	1-10 MHz	5-10 MHz	@ 20 MHz	@ 25 MHz	@ 30 MHz	@ 40 MHz	30-100 MHz	1-10 MHz
Xmit/Rcv	Xmit/Rcv	Xmit/Rcv	Xmit/Rcv	Xmit/Rcv	Xmit/Rcv	Xmit/Rcv	Xmit/Rcv	Between Channels
17/17	-1/-1	-15/-15	-5/-4	-14/-9	-24/-15	-30/-24	-30/-30	-30

• † Referenced to the Output Level Fundamental Frequency @ 5 MHz •

Schematic



Package



Unless Otherwise Specified Dimensions are in Inches /mm ± .010 / .25