



- General purpose 10Base-T Filter Module
- Operating Temperature Range : 0°C to +70°C
- Robust construction allows for toughest reflow processing
- Complies with or exceeds IEEE 802.3, 10Base-T Standards
- Add "-RC" after part number for RoHS Compliant

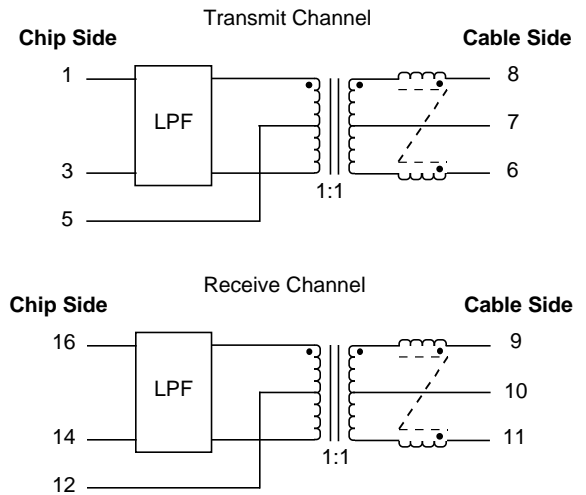
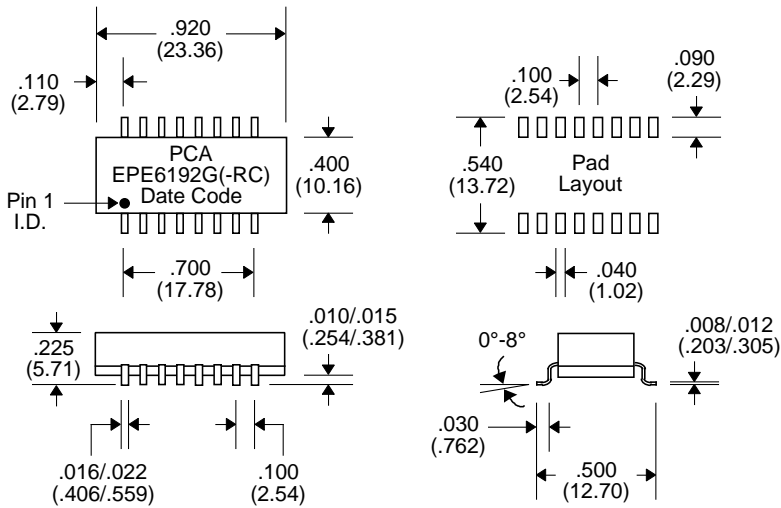
Electrical Parameters @ 25° C

Cut-Off Frequency (MHz)	Insertion Loss (dB Max.)	Return Loss (dB Min.)	Attenuation (dB Min.)				Common Mode Rejection (dB Min.)			Crosstalk (dB Min.)
			@ 20 MHz	@ 25 MHz	@ 30 MHz	@ 40 MHz	@ 50 MHz	@ 100 MHz	@ 200 MHz	
(Ref.)	1-10 MHz	5-10 MHz	@ 20 MHz	@ 25 MHz	@ 30 MHz	@ 40 MHz	@ 50 MHz	@ 100 MHz	@ 200 MHz	1-10 MHz
Xmit/Rcv	Xmit/Rcv	Xmit/Rcv	Xmit/Rcv	Xmit/Rcv	Xmit/Rcv	Xmit/Rcv	Xmit/Rcv	Xmit/Rcv	Xmit/Rcv	Xmit/Rcv
17/17	-1/-1	-15/-15	-7/-5	-18/-11	-30/-18	-35/-26	-45/-45	-30/-30	-20/-20	-35/-35

• **Isolation** : Meets or exceeds 802.3 IEEE Requirements • **Characteristic Filter Impedance** : 100 Ω •

Package

Schematic



Notes :	EPE6192G	EPE6192G-RC
1. Assembly Process (Solder Composition)	SnPb	Pb-Free + (RoHS exemption 7a)
2. Peak Solder Rating (per IPC/JEDEC J-STD-020C)	225°C	260°C
3. Moisture Sensitive Levels (MSL) (per IPC/JEDEC J-STD-020C)	MSL = 3 (168 Hours, ≤30°C/60%RH)	MSL = 4 (72 Hours, ≤30°C/60%RH)
4. Weight	2.5 grams	2.5 grams
5. Packaging Information (*Add "TR" to end of part number when placing order)	(Tube) 22 pieces/tube	22 pieces/tube
	(Tape & Reel) 400 pieces/13" reel (*EPE6192G-TR)	400 pieces/13" reel (*EPE6192G-RCTR)

Unless Otherwise Specified Dimensions are in Inches /mm ± .010 / .25