

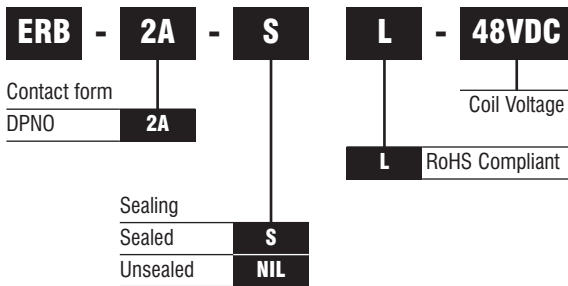
Subminiature Intermediate Power Relay ERB



- 5A switching capabilities
- 2 Form A slim type
- Sealed & Unsealed types available



Options and ordering codes



Contact Data

Contact Arrangement	2A
Initial Contact Resistance Max.	100mΩ (at 1A 6VDC)
Contact Material	AgSnO ₂
Contact Rating (Res. Load)	5A 250VAC/30VDC
Max. switching voltage	250VAC/30VDC
Max. switching current	5A
Max. switching power	1250VA/150W
Mechanical life	1x10 ⁶ OPS
Electrical life	1x10 ⁵ OPS

Coil

Coil power	0.53W
------------	-------

Safety Approval Ratings

UL	5A 250VAC 5A 30VDC TV-3 125VAC
TUV	5A 250VAC cos phi=1 5A 30VDC L/R=0

Characteristics

Initial Insulation Resistance	1000MΩ @ 500VDC	
Dielectric Strength	Between coil & contacts	4000VAC 1min.
	Between open contacts	1000VAC 1min.
	Between contacts sets	2000VAC 1min.
Operate time (at nomi. Volt)	15ms	
Release time (at nomi. Volt)	10ms	
Temperature rise (at nomi. Volt)	Max. 55°C	
Humidity	5% to + 85%RH	
Ambient temperature	-40°C to 70°C	
Shock resistance	Functional	100m/s ²
	Destructive	1000m/s ²
Vibration resistance	10 to 55Hz	
Termination	PCB	
Unit Weight	Approx. 14.5g	
Construction	Sealed IP67 & Unsealed	

Subminiature Intermediate Power Relay ERB

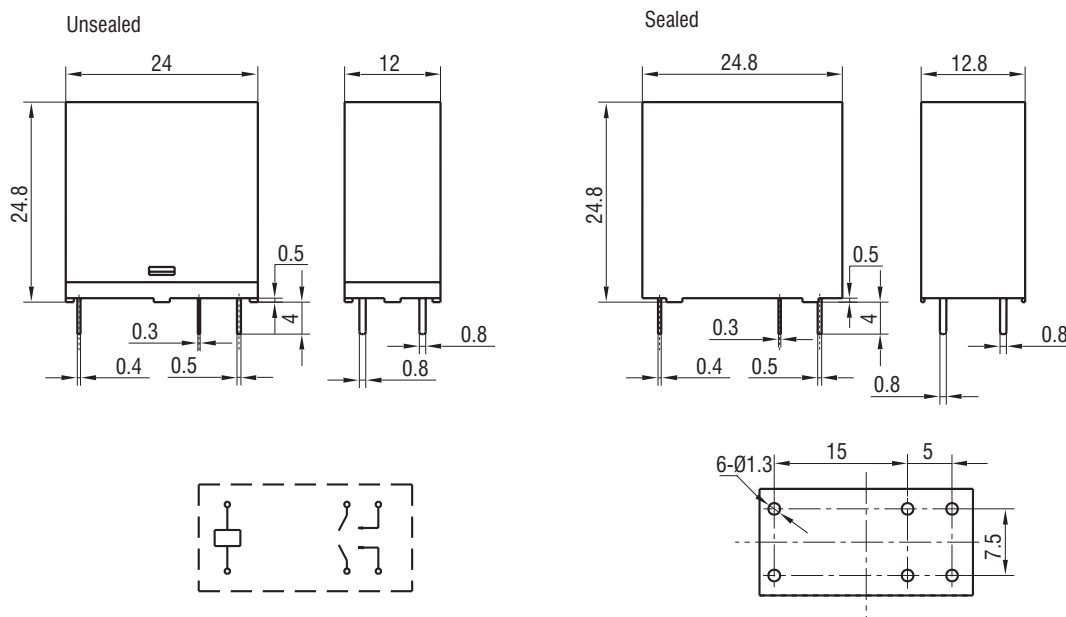


Coil Data

Nominal Voltage VDC	Pick-up Voltage VDC	Drop-out Voltage VDC	Max. allowable Voltage VDC (at 20 °C)	Coil Resistance Ω
5	3.75	0.25	6.5	47 \pm 10%
6	4.50	0.30	7.8	68 \pm 10%
9	6.75	0.45	11.7	155 \pm 10%
12	9.00	0.60	15.6	270 \pm 10%
18	13.5	0.90	23.4	620 \pm 10%
24	18.0	1.20	31.2	1080 \pm 10%
48	36.0	2.40	62.4	4400 \pm 10%

Outline dimensions (mm)

Wiring diagram and PC Board layout



Characteristic Curve

