

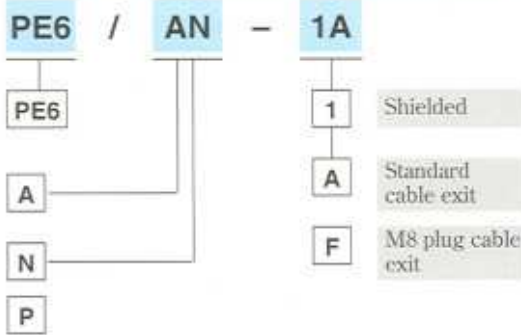
Short body inductive proximity switches for DC operation

- ø8 x 16mm
- Shielded sensing models
- IP67 nickel-plated brass housing
- Short-circuit protection
- Rear-mounted LED operation indicator
- Additional cable exit options available
- Nominal sensing range shielded 1.5mm

New Models



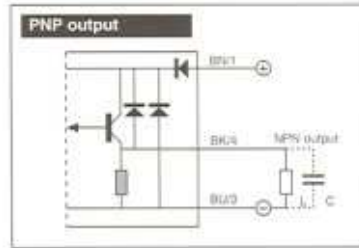
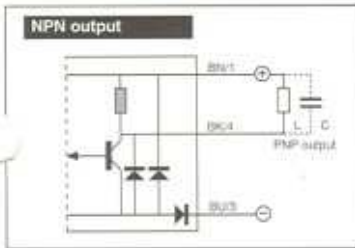
Options and ordering codes



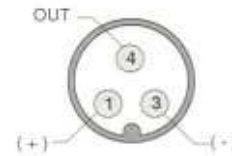
Please see – Full specification page 233
Connector leads page 261

Normally closed output types also available – please contact IMO

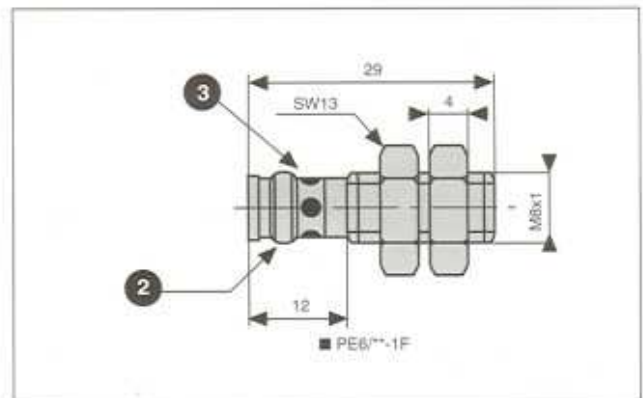
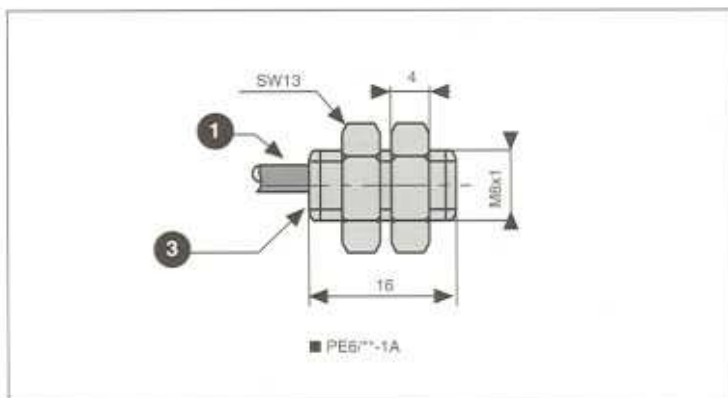
Output circuit–wiring connections



M8 Plug-pin connections



Dimensions (mm)



1. Cable 3x0.14mm², ø3.5mm, PVC, 2m 2 M8 plug exit 3. Output LED yellow

Thousands of lines. One number: 0181 452 6444. 24hr delivery