

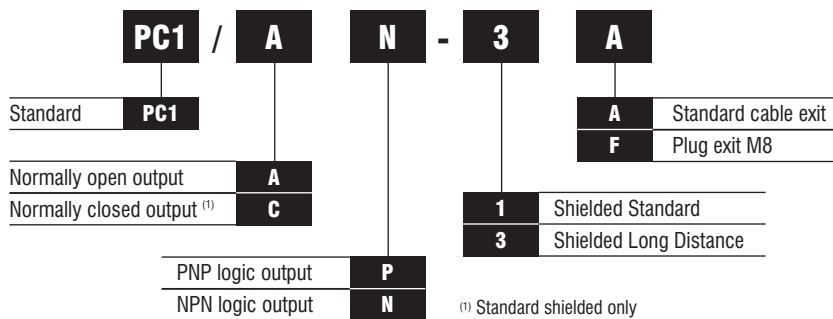
Miniature Inductive 3-wire DC Proximity Switch PC1



- Ultra small 4mm diameter stainless steel housing
- Shielded models
- IP67 Protection degree
- Polarity reverse, transient protection and short circuit
- LED status indicator
- Nominal sensing distance: Shielded Standard 0.8mm
Shielded Long Distance 1.5mm



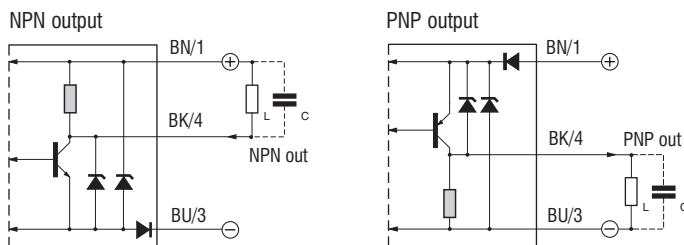
Options and ordering codes



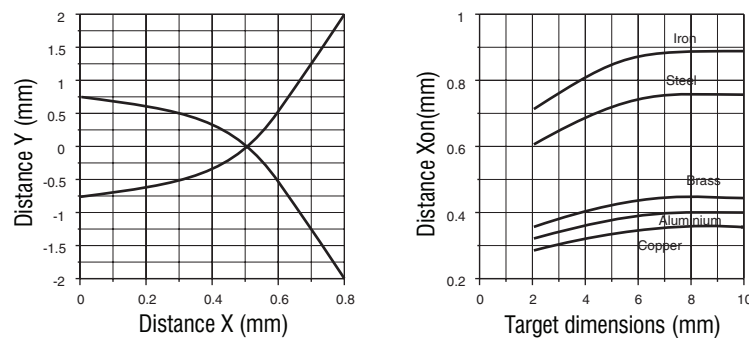
Specifications

Model	PC1
Differential travel	10% typical
Repeatability	1.50%
Supply voltage	10-30 VDC
Ripple	20% maximum
Maximum consumption	10mA
Switching frequency	5KHz
Output type	NPN or PNP
Output state	NO or NC
Load current	200mA maximum
Residual output voltage	2V max. I _L =200mA
Leakage current	<10μA
Time before switch operation	10ms
Short circuit (auto reset)	yes
Transient protection	yes
Polarity reversal protection	yes
LED status indicator	yes
Protection degree	IP67
Temperature range	-25o +70o C
Temperature drift	10% Sr
Housing material	Stainless steel
Lens material	PBT
Weight (approx.)	37g cable or 9g plug

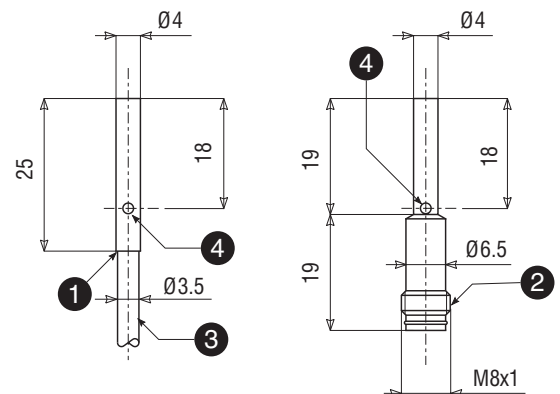
Wiring diagrams



Characteristic curves (Shielded standard)



Dimensions (mm)



- 1: Axial cable exit
- 2: M8 plug
- 3: Cable 2m PVC
- 4: LED status indicator

Connectors M8

