

BDM Battery Disconnect Module

Installation Instructions

P03-030

DESCRIPTION

The Battery Disconnect Module cable provides protection for the battery set from a "deep discharge" condition and eliminates improper operation by electronic devices caused by the operating voltage being too low.

The unit is auto sensing for both 12 and 24 volt battery systems and provides relay cutoff controlled by microprocessor logic.

Restore to normal is automatic with restoral of power to the power supply.

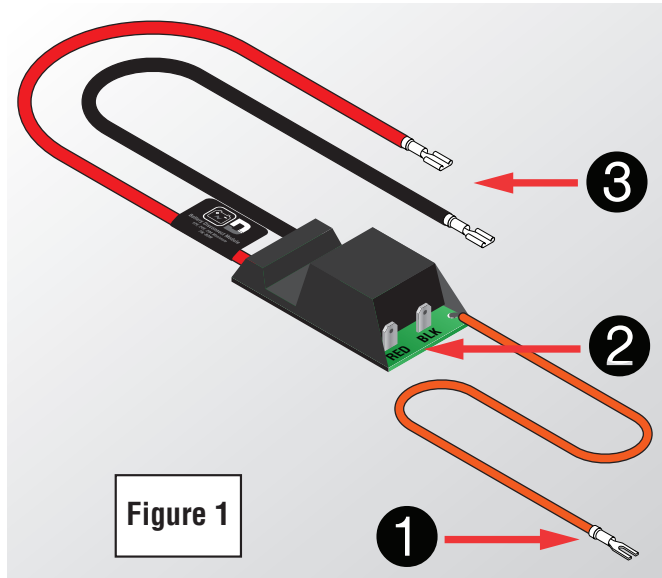
MOUNTING

The BDM replaces the normal battery cable as shown by the installation diagrams.

To install the unit:

1. Connect the orange wire from the BDM to the DC1+ output on the FPO power supply as shown in figures 2 or 3.
2. Connect the red and black battery cable from the FPO Bat+ and FPO Bat- to the terminals on the FPO side of the BDM as shown in figures 2 or 3.
3. Connect the battery wires from the BDM to the battery set as shown.

If the battery set is 24V, confirm the presence of the series jumper as shown in figures 2 or 3.



ORDERING

Model No.	Order No.
BDM	Battery Disconnect Cable

LifeSafety Power, Inc.
750 Tower Road, Unit B
Mundelein, IL 60060 USA
Tel 888-577-2898

